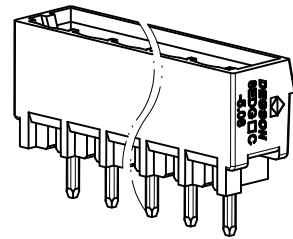
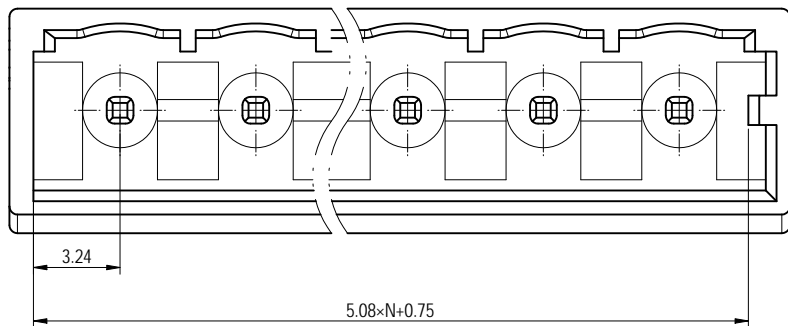
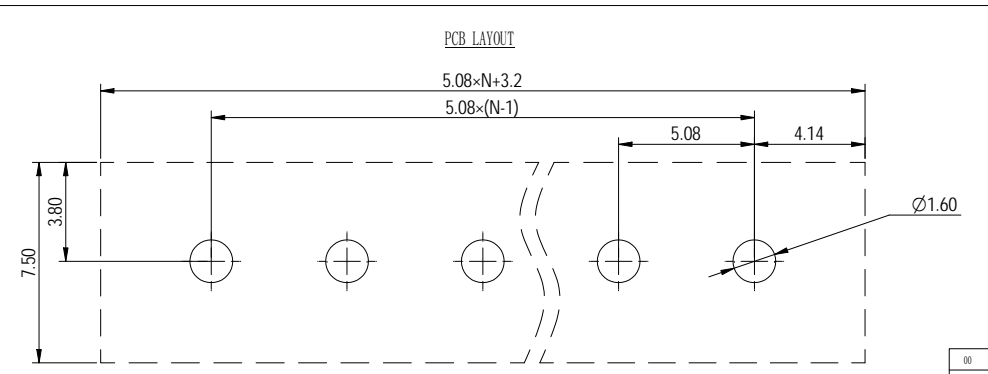
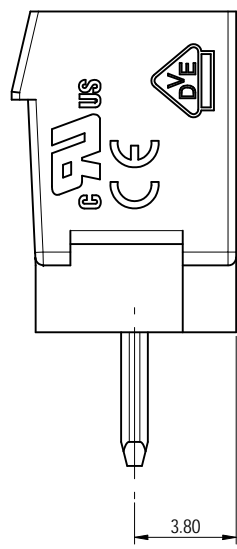
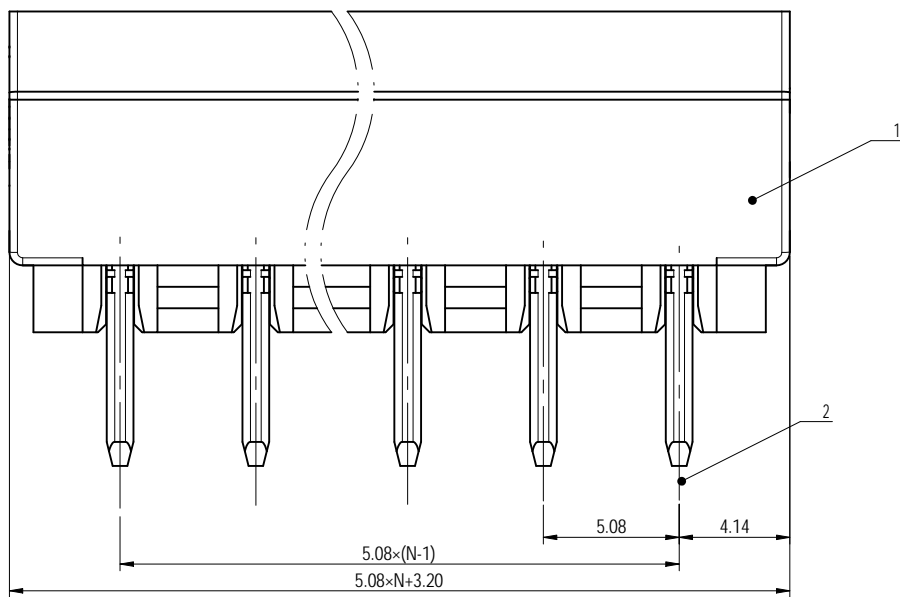
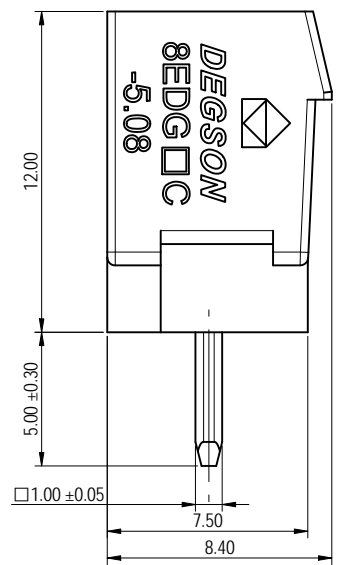


未注公差/General tolerances (mm)													D	
0	>3	>6	>10	>18	>30	>50	>80	>120	>180	>250	>315	>400	>500	0.1/10
~	~	~	~	~	~	~	~	~	~	~	~	~	~	N
±0.12	±0.18	±0.22	±0.26	±0.31	±0.37	±0.57	±0.80	±0.93	±1.05	±1.15	±1.60	±2.20	±2.50	±2



please refer to the 3D model, for those unmarked dimensions.



Note: The A&Z (H) in the name means: A(H) and Z (H).

ITEM	NAME OF PART	MATERIAL	NOTES
2	Pin header	Copper	Sn Plated
1	Housing	PA66	UL94V-0

UL 标准/UL Standard:	B	C	D
额定电压/电流/Rated Voltage(V)/Current(A)	300/15	300/15	300/10
额定脉冲电压(KV)/Rate Impulse Voltage(KV)	4	/	/
间距/Pitch(mm)/线数范围/Poles	5.08N-02-24P		
使用温度范围/Operating temperature(°C)	-40~+105		
符合RoHS环保要求/Conform to RoHS	Yes		

DIAGSON		MATERIAL:	SURFACE/COLOR: PANTONE 428C
APPD: 蓝贵凡	2023.09.05	MAT NO./REV:	/ 00
CHKD: 曹利彬	2023.09.05	NAME:	8EDGVC-5.08-XXP-1Y-01A&Z(H)
DRFT: 孙科豪	2023.09.05	DRAWING NO.:	200118749
		TYPE:	CUSTOMER DRAWING
		DRAWING STATUS:	已发布
		SCALE:	2:1
		SHEET:	1/1

REV	ECN	DESCRIPTION	DRFT	DATE	SCALE	SHEET
00						

Transfer or duplication of this document as well as the utilization of its contents without the written permission of DIAGSON is prohibited. All rights reserved for patent. 复制或再行发布此文件以及其内容之利用，未经DIAGSON书面许可，均属侵权行为。保留所有权利。保留所有权利。