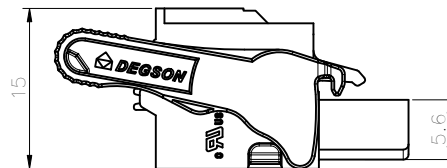
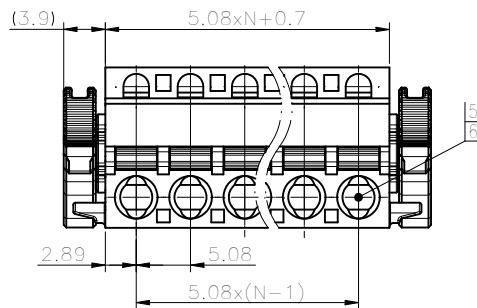
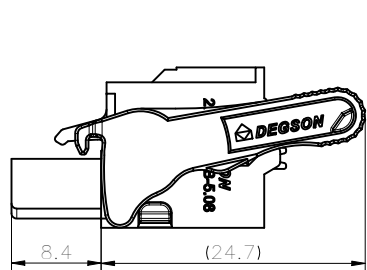
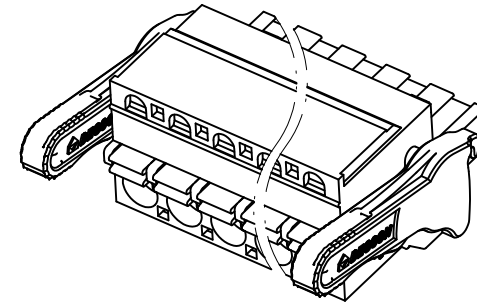
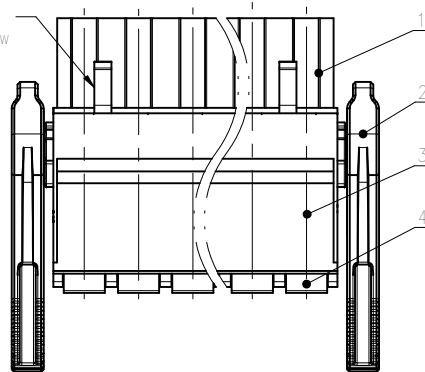


未註公差/General tolerances (mm)											D 0.1/10			
0	>3	>6	>10	>18	>30	>50	>80	>120	>180	>250		>315	>400	>500
±0.12	±0.18	±0.22	±0.26	±0.31	±0.37	±0.57	±0.80	±0.93	±1.05	±1.15	±1.60	±2.20	±2.50	±2

02P:Clasp on the left from this view



Note:  
The A&Z(H) in the name means: A(H) and Z(H).

ITEM	NAME OF PART	MATERIAL	NOTES
6	Spring	Stainless steel	/
5	Clamp	Copper alloy	Sn Plated
4	Button	PA66	UL94V-0
3	Housing	PA66	UL94V-0
2	Lever	PA66+GF	UL94V-0
1	Cover	PA66	UL94V-0

UL 标准/UL Standard:	B	C	D
额定电压/电流/Rated Voltage(V)/Current(A)	300/10	/	300/10
IEC 标准/IEC Standard:			
过压类别/Overvoltage Category/污染等级/Pollution Degree	III/3	III/2	II/2
额定电压/电流/Rated Voltage(V)/Current(A)	/	320/20	/
额定脉冲电压 (KV)/Rate Impulse Voltage(KV)	/	4	/
线径范围 (硬线和软线)/Wire Range (rigid and flexible) (AWG/mm <sup>2</sup> )		26-12 / 0.2-2.5	
间距/Pitch (mm)/线数范围/Poles		5.08/N=02-12P	
剥线长度/Stripping length (mm)		9-10	
使用温度范围/Operating temperature (°C)		-40~+105	
符合 RoHS 环保要求/Conform to RoHS		Yes	

<b>DEGSON</b>		MATERIAL:	SURFACE:	
SPPT: 兰春华	2022.12.26	MAT NO./REV:	/ 00	MAT STATUS: 批量
CHKD: 袁耀志	2022.12.16	NAME: 2EDGKDBG-5.08-XXP-1Y-00A&Z(H)		
DRFT: 刘强	2022.12.16	DRAWING NO.:	200043545	TYPE: CUSTOMER DRAWING
01	REV	ECN	DESCRIPTION	DRFT
01	REV	ECN	DESCRIPTION	DRFT
01	REV	ECN	DESCRIPTION	DRFT

REV	ECN	DESCRIPTION	DRFT	DATE	SCALE	SHEET
01			刘强	2022.12.16	2:1	1/1

Transfer or application of this document as well as the information contained herein is prohibited without the prior written consent of DEGSON. All rights reserved. 未经授权，不得复制或传播本文件中的任何信息。本公司保留所有权利。未经本公司书面许可，不得复制或传播本文件中的任何信息。