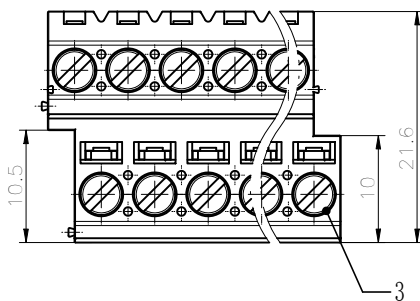
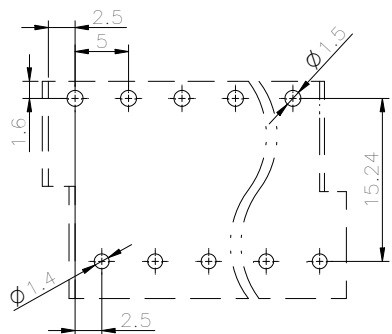
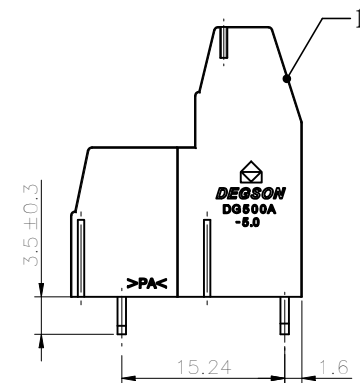
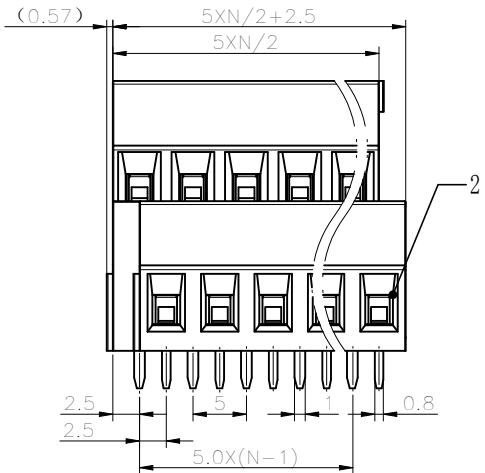
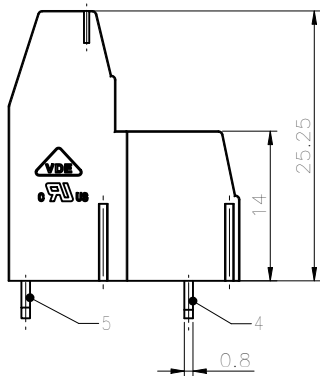
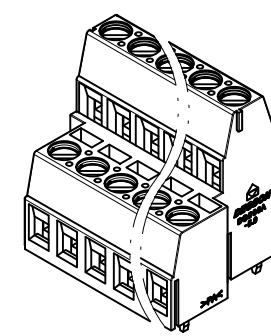


PCB LAYOUT



公差/General tolerances (mm)											0.1/10 ±2		
0	>3	>6	>10	>18	>30	>50	>80	>120	>180	>250		>315	>400
~3	~6	~10	~18	~30	~50	~80	~120	~180	~250	~315	~400	~500	~500
±0.12	±0.18	±0.22	±0.26	±0.31	±0.37	±0.57	±0.80	±0.93	±1.05	±1.15	±1.60	±2.20	±2.50
UL 标准/UL Standard:											B	C	D
额定电压/电流/Rated Voltage (V)/Current (A)											300V/20 / / 300V/10		
IEC 标准/IEC Standard:													
过压类别/Ovenvoltage Category/污染等级/Pollution Degree											III/3 III/2 II/2		
额定电压/电流/Rated Voltage (V)/Current (A)											/ 250/18 /		
工频耐压/Withstanding voltage (V/1Min)											/ AC2000 /		
螺丝扭矩/Torque Tightening (N·m/Lb·in)											M3: 0.5/4.5		
线径范围(硬线和软线)/Wire Range (rigid and flexible) (AWG/mm ²)											28~12 / 1.0~2.5		
间距/Pitch (mm)/线数范围/Poles											5.0/N=04~48P		
剥线长度/Stripping length (mm)											6~7		
使用温度范围/Operating temperature (°C)											-40~+105		
符合RoHS环保要求/Conform to RoHS											Yes		



Note:
The AZ(H) in the name means: A(H) and Z(H).

5	Pin Header 2	Copper alloy	Sn Plated
4	Pin Header 1	Copper alloy	Sn Plated
3	Screw	Steel	M3/Zn Plated
2	Cage	Copper alloy	M3/Ni Plated
1	Housing	PA66	UL94V-0
ITEM	NAME OF PART	MATERIAL	NOTES

DEGSON		MATERIAL: /	SURFACE/COLOR: /	
APPD: 兰春华 2022.03.29		MAT NO./REV: - / 01	MAT STATUS: 批量	
CHKD: 陈超 2022.03.29		NAME: DG500A-5.0-XXP-1Y-100A&Z(H)		
DRFT: 李凯 2022.03.28		DRAWING NO. 200058473	TYPE CUSTOMER DRAWING	DRAWING STATUS 已发布
SCALE 2:1	SHEET 1/1			

00		1X初版发行	李凯	2022.03.28
REV	ECN	DESCRIPTION	DRFT	DATE

Transfer or duplication of this document as well as the utilization of its contents without the written permission of Degson Electronics Co., Ltd. is prohibited. 未经授权复制或传播本文件，以及将本文件内容用于任何目的均属于侵权行为。如有任何侵权行为，本公司保留追究法律责任的权利。 All rights reserved for patent.