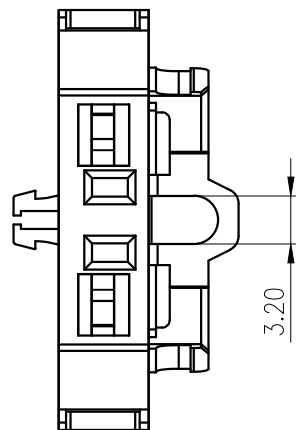
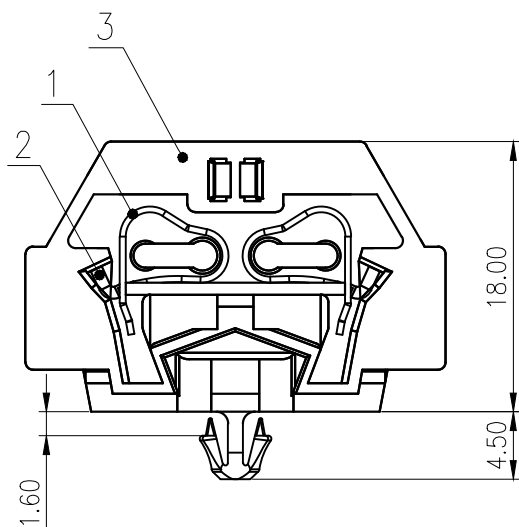


未注公差/General tolerances(mm)														
0	>3	>6	>10	>18	>30	>50	>80	>120	>180	>250	>315	>400	0.1/10 ±2'	
~3	~6	~10	~18	~30	~50	~80	~120	~180	~250	~315	~400	>500		
±0.12	±0.18	±0.22	±0.26	±0.31	±0.37	±0.57	±0.80	±0.93	±1.05	±1.15	±1.60	±2.20	±2.50	



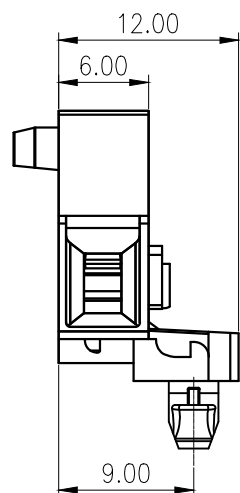
3.20



18.00

4.50

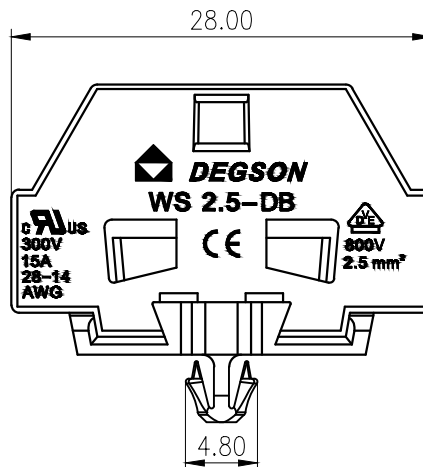
1.60



12.00

6.00

9.00



28.00

4.80

DEGSON
WS 2.5-DB

UL US
300V
15A
28-14
AWG

CE

300V
2.5mm²

3	Housing	PA66	UL94V-0
2	Current Carrier	Copper	Sn plated
1	Shrapnel	Stainless steel	
ITEM	NAME OF PART	MATERIAL	NOTES
UL 标准/UL Standard:		B	C
额定电压/电流/Rated Voltage(V)/Current(A)		300/15	300/15
EC 标准/IEC Standard:		D	
过压类别/Overvoltage Category/污染等级/ Pollution Degree		III/3	/
额定电压/电流/Rated Voltage(V)/Current(A)		800/24	/
额定脉冲电压(KV)/Rate Impulse Voltage(KV)		8.0	/
线径范围(硬线和软线)/Wire Range(rigid and flexible)(mm ² /AWG)		0.2~2.5/28~14	
间距/Pitch(mm)		6.0	
剥线长度/Stripping length(mm)		8-9	
使用温度范围/Operating temperature(°C)		-40~+105	
符合RoHS环保要求/Conform to RoHS		Yes	
标准颜色编号/Standard color number: PANTONE / RAL		/	

MATERIAL: /	SURFACE: /		
MAT NO.: /	宁波高松电子有限公司 NINGBO DEGSON ELECTRICAL CO., LTD		
STATUS: /			
APPD: Li GL 2020.06.06	NAME: WS2.5-DB-01P-1Y-11A(H)		
CHKD: Mao J 2020.06.06	DRAWING NO.: WS2.5-DB-C05		
DRFT: ding 2020.06.04	SCALE: 2:1		REV T1
⊕	SIZE: A4	TYPE: CUSTOMER DRAWING	SHEET 1/1

REV	ECN	DESCRIPTION	DRFT	DATE