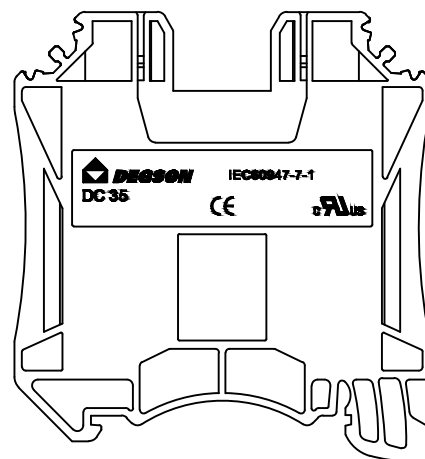
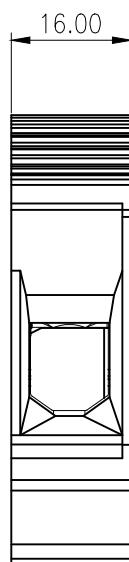
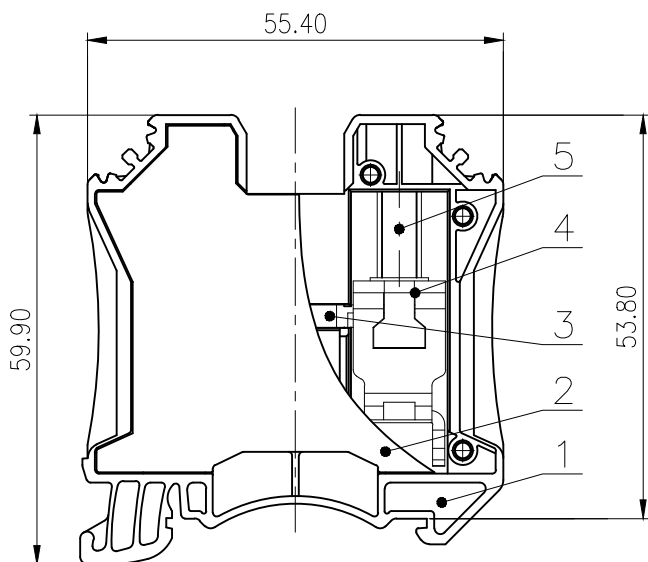
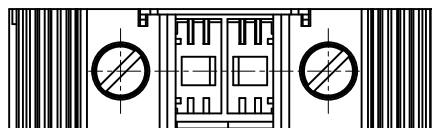


| 未注公差/General tolerances(mm) | | | | | | | | | | | | | 0.1/10 | |
|-----------------------------|--------|---------|----------|----------|----------|----------|-----------|------------|------------|------------|------------|------------|--------|------|
| 0 ~ 3 | >3 ~ 6 | >6 ~ 10 | >10 ~ 18 | >18 ~ 30 | >30 ~ 50 | >50 ~ 80 | >80 ~ 120 | >120 ~ 180 | >180 ~ 250 | >250 ~ 315 | >315 ~ 400 | >400 ~ 500 | | >500 |
| ±0.12 | ±0.18 | ±0.22 | ±0.26 | ±0.31 | ±0.37 | ±0.57 | ±0.80 | ±0.93 | ±1.05 | ±1.15 | ±1.60 | ±2.20 | ±2.50 | ∠Z |



| | | | |
|--|---------------|---------|-------|
| UL 标准/UL Standard: | B | C | D |
| 额定电压/电流/Rated Voltage(V)/Current(A) | 600/150 | 600/150 | 600/5 |
| IEC 标准/IEC Standard: | | | |
| 过压类别/Overvoltage Category/污染等级/Pollution Degree | III/3 | / | / |
| 额定电压/电流/Rated Voltage(V)/Current(A) | 1000/125 | / | / |
| 额定脉冲电压(KV)/Rate Impulse Voltage(KV) | 8.0 | / | / |
| 螺丝扭矩/Torque Tightening(N·m/Lb.in) | M6, 3.5/31 | | |
| 线径范围(硬线和软线)/Wire Range(rigid and flexible)(mm ² /AWG) | 2.5~50/14~1/0 | | |
| 间距/Pitch(mm) | 16.0 | | |
| 剥线长度/Stripping length(mm) | 14-16 | | |
| 使用温度范围/Operating temperature(°C) | -40~+105 | | |
| 符合RoHS环保要求/Conform to RoHS | Yes | | |
| 标准颜色编号/Standard color number: PANTONE / RAL | / | | |

| | | | |
|---|-----------------|--------|--------------|
| 5 | Screw | Steel | M6\Zn Plated |
| 4 | Cage | Steel | Zn Plated |
| 3 | Current carrier | Copper | Sn Plated |
| 2 | Cover | PA66 | UL94V-0 |
| 1 | Housing | PA66 | UL94V-0 |

| ITEM | NAME OF PART | MATERIAL | NOTES |
|------|--------------|----------|-------|
|------|--------------|----------|-------|

| REV | ECN | DESCRIPTION | DRFT | DATE |
|-----|-----|-------------|------|------|
|-----|-----|-------------|------|------|

| | | | |
|-------------------------|---|------------------------|----------------------|
| MATERIAL: / | SURFACE: / | | |
| MAT NO.: / | 宁波高松电子有限公司 NINGBO DEGSON ELECTRICAL CO., LTD | | |
| STATUS: / | | | |
| APPD: Li GL 2020.05.25 | NAME: DC35-01P-1Y-00A(H) | | |
| CHKD: Mao J 2020.05.25 | | | |
| DRFT:Wang LX 2020.05.25 | DRAWING NO.: DC35-C01 | REV | T0-2 |
| ⊕ | SIZE: A4 | TYPE: CUSTOMER DRAWING | SCALE: 1:1 SHEET 1/1 |