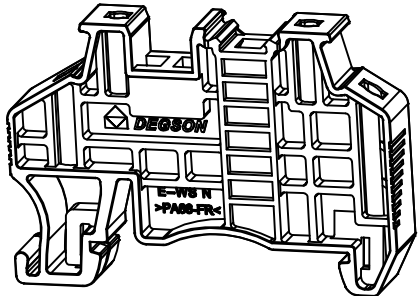
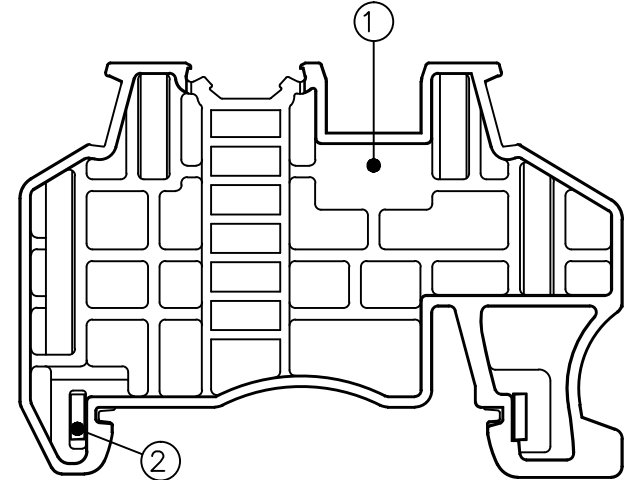
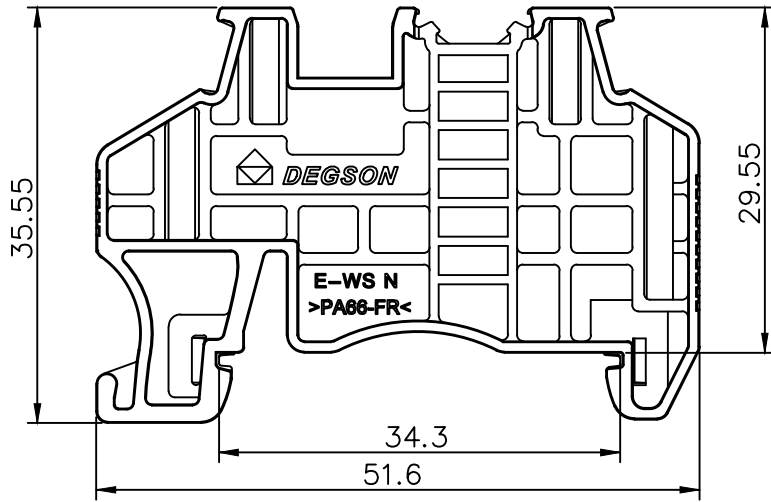
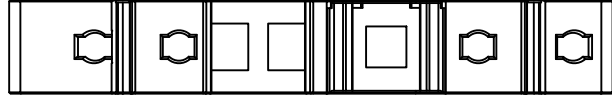


未注公差/General tolerances(mm)													0.1/10 ±2'
0 ~ 3	>3 ~ 6	>6 ~ 10	>10 ~ 18	>18 ~ 30	>30 ~ 50	>50 ~ 80	>80 ~ 120	>120 ~ 180	>180 ~ 250	>250 ~ 315	>315 ~ 400	>400 ~ 500	
±0.12	±0.18	±0.22	±0.26	±0.31	±0.37	±0.57	±0.80	±0.93	±1.05	±1.15	±1.60	±2.20	±2.50

使用温度范围/Operating temperature(°C)	-40~+105
符合RoHS环保要求/Conform to RoHS	Yes



2	Stator	Stainless steel	/
1	Housing	PA66	UL94V-0
ITEM	NAME OF PART	MATERIAL	NOTES

		MATERIAL: /		SURFACE/COLOR: /	
APPD: Li GL		2022.06.15		NAME	
CHKD: Ma EK		2022.06.15		E-WS N-01P-1Y-00A(H)	
DRFT: Liu Y		2022.06.15		DRAWING NO.	
REV: /		TYPE		DRAWING STATUS	
A4		CUSTOMER DRAWING		/	
SCALE		SHEET		1/1	
1.5:1		1/1			

00	/	/	Liu Y	2022.06.15
REV	ECN	DESCRIPTION	DRFT	DATE

In view of our company's intellectual property rights, the publication of this drawing is subject to the approval of our company. Any unauthorized reproduction, distribution, or use of this drawing without the written consent of our company is strictly prohibited. All rights reserved.