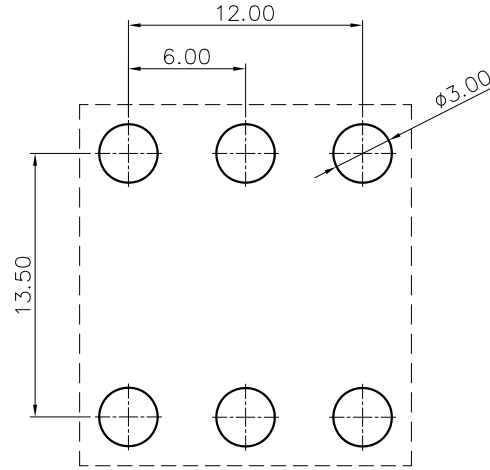
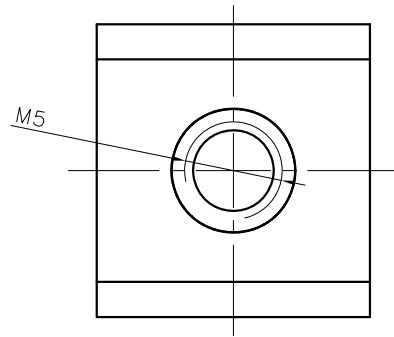


REVISION RECORD

REV	ECN	DESCRIPTION	DRFT	DATE
-----	-----	-------------	------	------



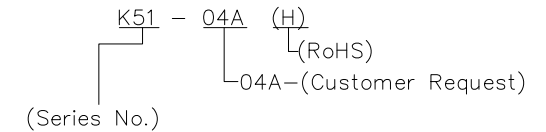
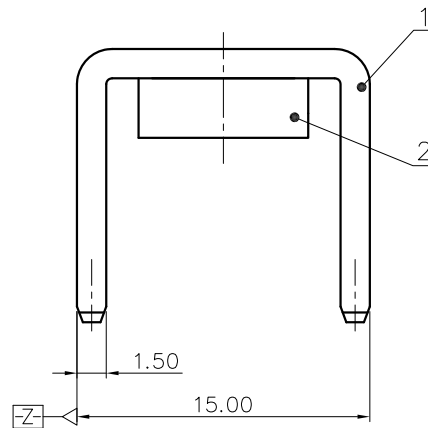
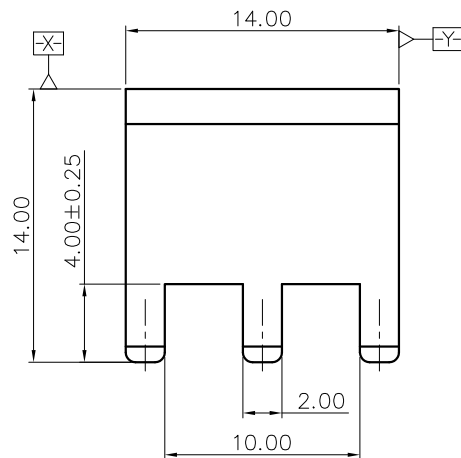
PCB LAYOUT

NOTES1:

- Rated current : 92A
- Torque value : M5, 35.44Lb.in(4N·m/40.08kgf.cm)
- Dimension shall be interpreted per ASME Y14.5-2009
- Undimensioned tolerances:

Pitch range in mm		Nominal dimension range in mm						-	∩	∇
TO	Over TO	Over TO	Over TO	Over TO	Over TO	Over TO	0.1/10			
6	6 TO 10	10 TO 24	30 TO 30	30 TO 60	60 TO 100	100 TO 150	<			
	±0.15	±0.20	±0.30	±0.30	±0.50	±0.70	±1.00	±1.30	±2'	

- RoHS Compliance



ITEM	NAME OF PART	MATERIAL	NOTES
2	Nut	Steel	M5/Zn Plated
1	Pin Header	Copper Alloy	Sn Plated

DETACHED LISTS	PART NO.: /	宁波高松电子有限公司 NINGBO DEGSON ELECTRICAL CO., LTD		
	APPD:	NAME: K51-04A(H)		
	CHKD:	TITLE: CUSTOMER DRAWING		
	DRFT: Desinly 2018.03.02	DRAWING NO.: K51-C04	REV	TO
THIRD ANGLE PROJECTION		MM (INCH)	DO NOT SCALE DRAWING	SHEET 1/1
		SCALE	1:1	