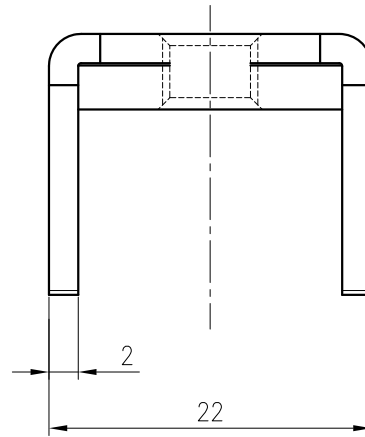
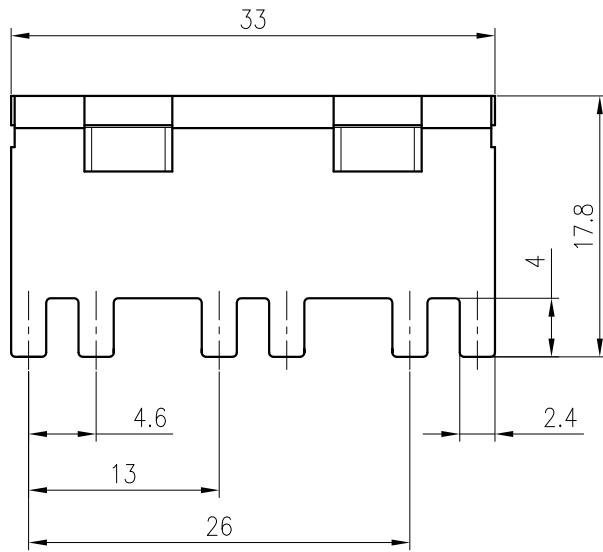
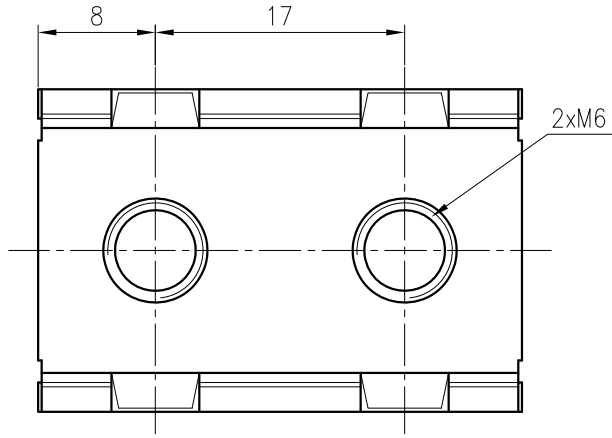
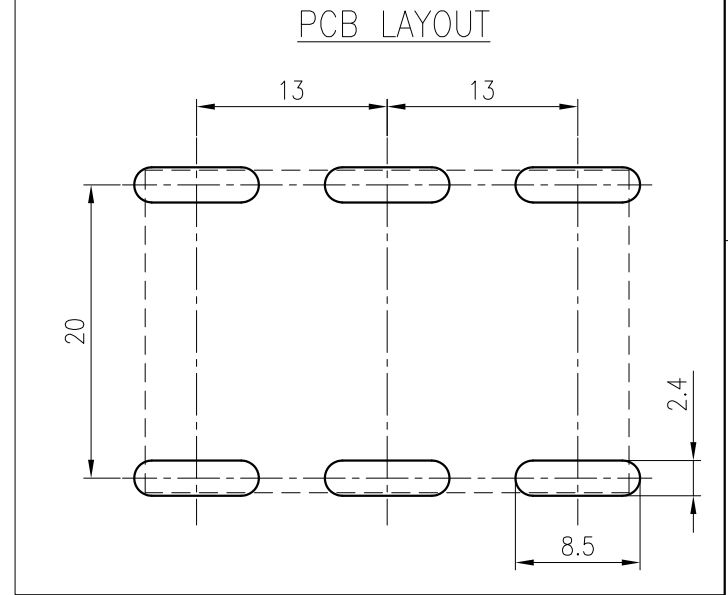


Transfer or duplication of this document as well as the utilization or communication of its contents are prohibited unless explicit authorization is granted. Violations will be liable for compensation. All rights reserved for patent, utility, model or designs registrations. 除非给予明确授权，否则禁止转让、复制、利用、交流本文件的内容。未经许可擅自复制或发明、实用新型专利的所有权利。



未注公差/General tolerances(mm)												0.1/10	
0	>3	>6	>10	>18	>30	>50	>80	>120	>180	>250	>315		>400
~3	~6	~10	~18	~30	~50	~80	~120	~180	~250	~315	~400	>500	
±0.12	±0.18	±0.22	±0.26	±0.31	±0.37	±0.57	±0.80	±0.93	±1.05	±1.15	±1.60	±2.20	±2.50



额定电流/Rated Current	269A
螺丝扭矩/Tightening torque(N·m/Lb.in)	M6, 3.5/31.01
符合RoHS环保要求/Conform to RoHS	Yes

MATERIAL: /	SURFACE: /								
MAT NO.: /	宁波高松电子有限公司 NINGBO DEGSON ELECTRICAL CO., LTD								
STATUS: /									
APPD: Lan ChH 2021.05.06	NAME: K59-00A(H)								
CHKD: Yu JZh 2021.05.06	DRAWING NO.: K59-C01								
DRFT: Ba YH 2021.05.06	TYPE: CUSTOMER DRAWING	SCALE: 2:1							
REV	ECN	DESCRIPTION	DRFT	DATE	SIZE: A4	TYPE: CUSTOMER DRAWING	SCALE: 2:1	SHEET	TO
					mm (inch)			1/1	

REV	ECN	DESCRIPTION	DRFT	DATE