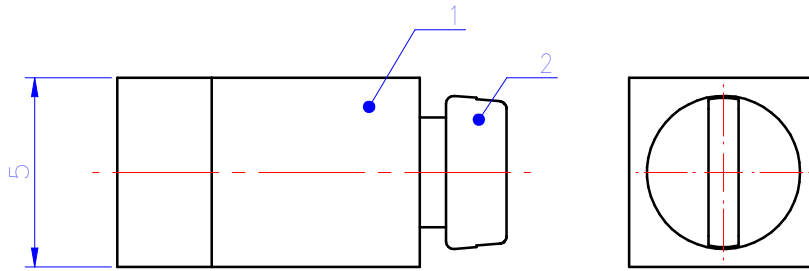
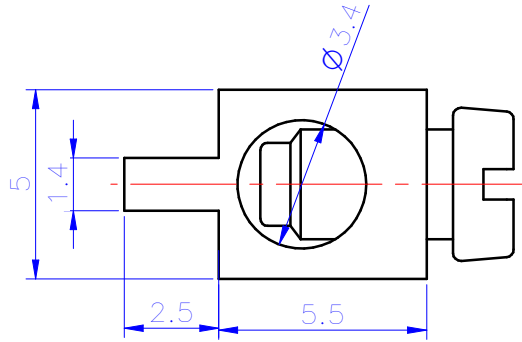


未注公差/General tolerances(mm)													0.1/10
0 ~ 3	>3 ~ 6	>6 ~ 10	>10 ~ 18	>18 ~ 30	>30 ~ 50	>50 ~ 80	>80 ~ 120	>120 ~ 180	>180 ~ 250	>250 ~ 315	>315 ~ 400	>400 ~ 500	
±0.12	±0.18	±0.22	±0.26	±0.31	±0.37	±0.57	±0.80	±0.93	±1.05	±1.15	±1.60	±2.20	±2.50



ITEM	NAME OF PART	MATERIAL	NOTES
2	Screw	Steel	Zn plated
1	Cage	Copper alloy	Sn plated

螺丝扭矩/Torque Tightening(N·m/Lb.in)	M3, 0.5/4.43
符合 RoHS 环保要求/Conform to RoHS	Yes

		MATERIAL: /	SURFACE/COLOR: /	
APPD: / CHKD: /		MAT NO./REV: 10900000040-1 / 00	MAT STATUS: 批量	
DRFT: 谢晓栋 DATE: 2022-7-14		NAME: K30-00A(H)		
DRAWING NO. 200044963		TYPE /		DRAWING STATUS /
SCALE 5:1		SHEET 1/1		

REV	ECN	DESCRIPTION	DRFT	DATE
00	/	/	谢晓栋	2022-7-14

Transfer or duplication of this document as well as the utilization or communication of its contents are prohibited unless written consent is obtained from DEGSON. All rights reserved for patent, utility model or designs registrations. 非经书面明确授权，否则禁止转让、复制、利用、交流本文件的内容。未经书面明确授权，本公司保留对涉及发明、实用新型和外观设计的所有权利。