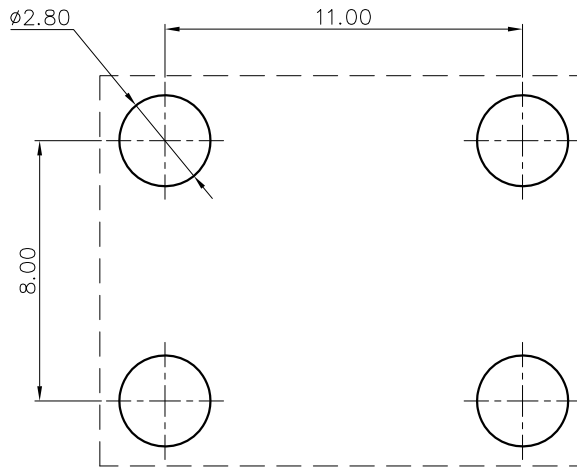
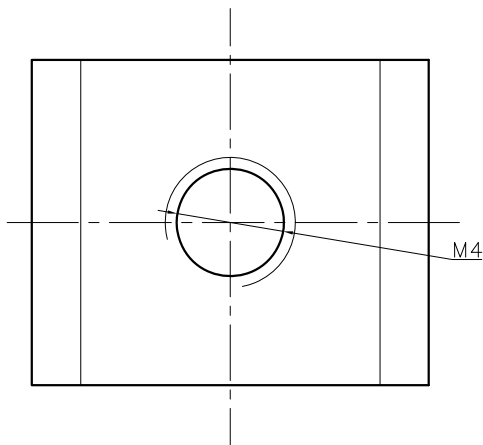


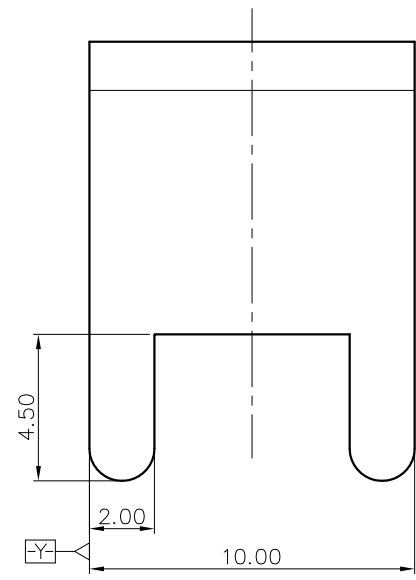
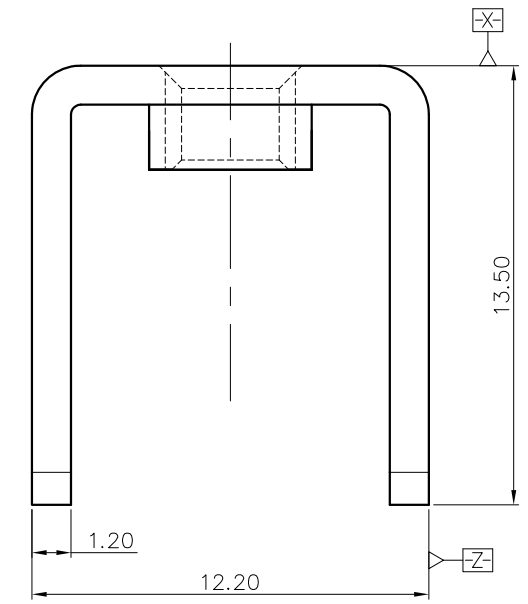
REVISION RECORD

REV	ECN	DESCRIPTION	DRFT	DATE

H  
G  
F  
E  
D  
C  
B  
A



PCB LAYOUT



NOTES:

- Rated current : 50A
- Torque value : M4 , 10.53Lb.in
- Dimension shall be interpreted per ASME Y14.5-2009
- Undimensioned tolerances:

Pitch range in mm			Nominal dimension range in mm					∩	∟
TO	Over TO	Over TO	TO	Over TO	Over TO	Over TO	0.1/10	∠	
6	10	24	30	60	100	150	∠	∠	
±0.15	±0.20	±0.30	±0.30	±0.50	±0.70	±1.00	±1.30	±2'	

5.RoHS Compliance

K45 -00A (H)  
 (Series No.) (RoHS)  
 -00A-(Standard)

ITEM	NAME OF PART	MATERIAL	NOTES
1	Pin header	Copper alloy	Sn Plated

DETACHED LISTS	PART NO.: /	宁波高松电子有限公司 NINGBO DEGSON ELECTRICAL CO., LTD		
	APPD:	NAME: K45-00A(H)		
	CHKD:	TITLE: CUSTOMER DRAWING		
	DRFT: ZX 11/16/16"	DRAWING NO.: K45-C01		REV TO
THIRD ANGLE PROJECTION		MM (INCH)	DO NOT SCALE DRAWING	SCALE 1:1

H  
G  
F  
E  
D  
C  
B  
A