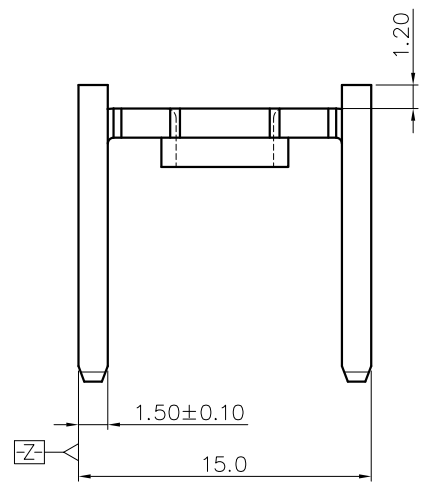
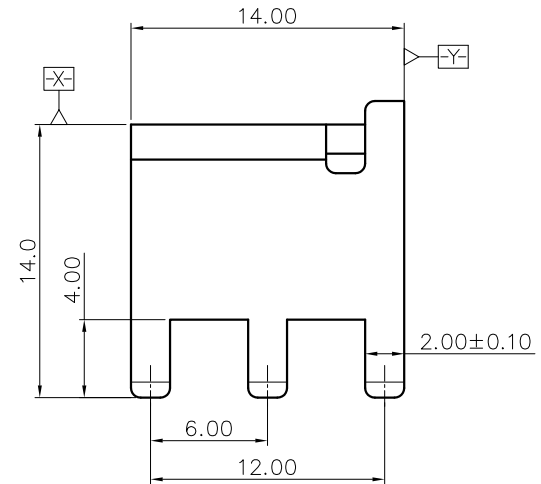
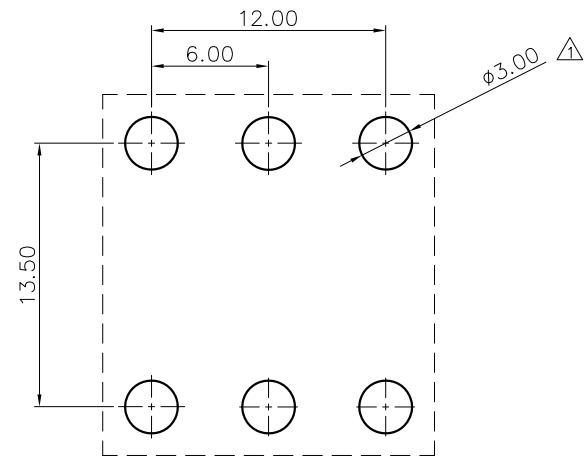
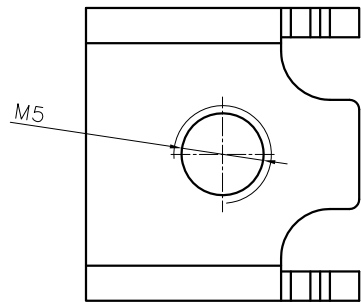


REVISION RECORD				
REV	ECN	DESCRIPTION	DRFT	DATE
△	18-0068	PCB layout hole diameter change	YYC	2018.03.20



- NOTES:
- Rated Current : 92A
 - Torque Value : M5, 17.54Lb.in
 - Dimension shall be interpreted per ASME Y14.5-2009
 - UNDIMENSIONED TOLERANCES:

Pitch range in mm		Nominal dimension range in mm					-	∩	∇
TO	Over TO	TO	Over TO	Over TO	Over TO	Over TO	0.1/10		
6	10	30	60	100	150	150	<		
±0.15	±0.20	±0.30	±0.30	±0.50	±0.70	±1.00	±1.30	±2'	

5.RoHS Compliance

K51 -00A (H)
 (Series No.) (RoHS)
 00A-(Standard)

1	Pin header	Copper alloy	Sn Plated
ITEM	NAME OF PART	MATERIAL	NOTES

DETACHED LISTS	PART NO.: /	宁波高松电子有限公司 NINGBO DEGSON ELECTRICAL CO., LTD		
	APPD:	NAME: K51-00A(H)		
	CHKD:	TITLE: CUSTOMER DRAWING		
	DRFT: ZX 11/07/15"	DRAWING NO.: K51-C01	REV: T1	SHEET: 1/1
THIRD ANGLE PROJECTION		DRAWING NO.: K51-C01 SHEET: 1/1	DO NOT SCALE DRAWING SCALE: 1:1	