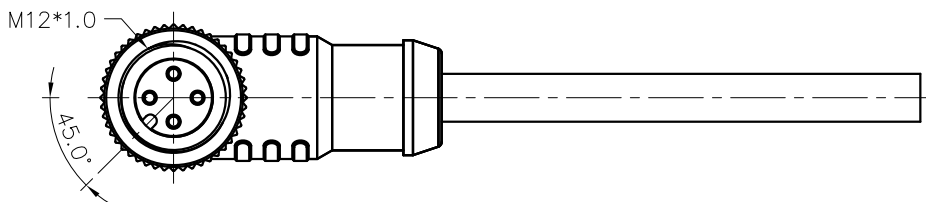
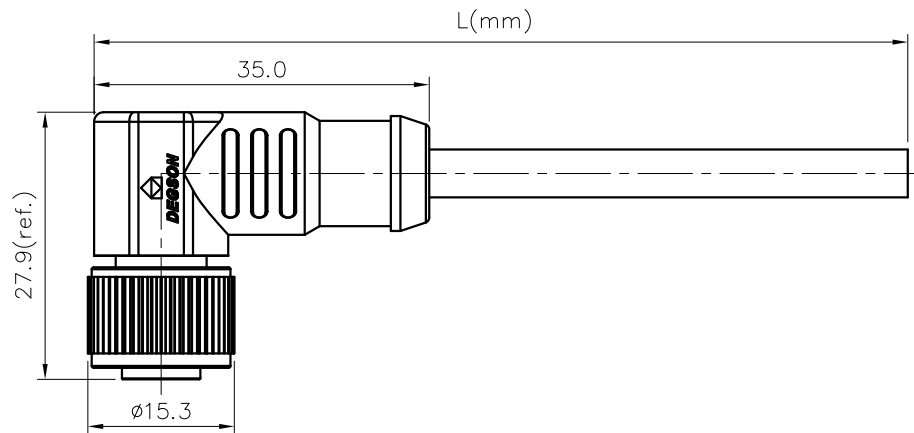


REVISION RECORD

REV	ECN	DESCRIPTION	DRFT	DATE
-----	-----	-------------	------	------



NOTES:

- Rated voltage/current : 3pin A: 250V / 4A
4pin A: 250V / 4A
5pin A: 60V / 4A
6pin A: 30V / 2A
8pin A: 30V / 2A
- Withstanding voltage : 3,4pin: AC1500V/1Min
5pin: AC1120V/1Min
6,8pin: AC500V/1Min
- Levels of protection: IP68
- Cable specifications :
3pin A: 3C*22AWG/0.34mm²,UL2517/UL20549
4pin A: 4C*22AWG/0.34mm²,UL2517/UL20549
5pin A: 5C*22AWG/0.34mm²,UL2517/UL20549
6pin A: 6C*24AWG/0.25mm²,UL2517/UL20549
8pin A: 8C*24AWG/0.25mm²,UL2517/UL20549
- Wire connection mode: soldering
- Operating temperature: PVC Cable: -25°C~+85°C
PUR Cable: -25°C~+80°C
- RoHS Compliance

PM-M12X-XXP-FF-SR8XXX-00A(H)

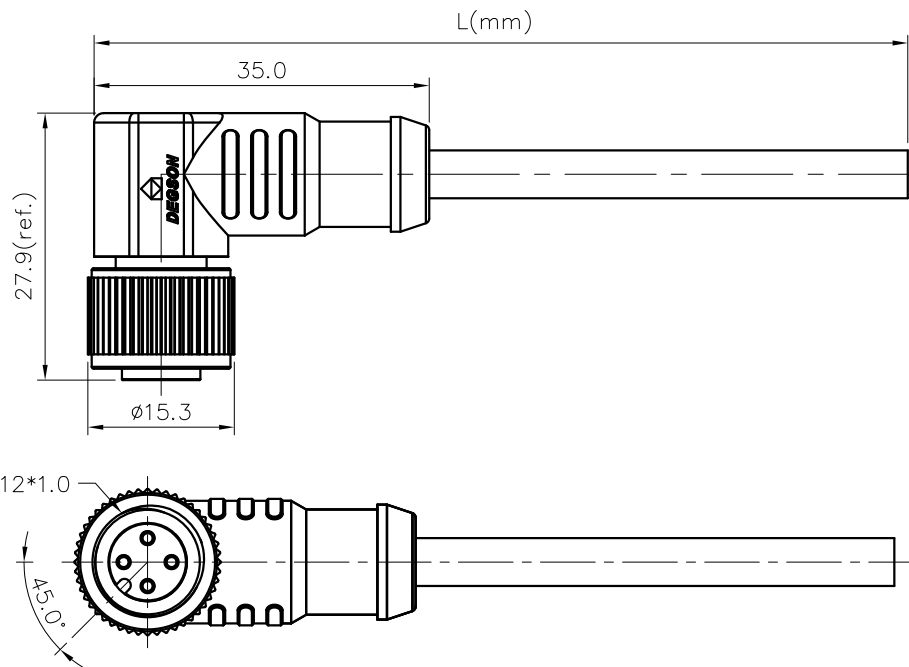
Coding: A,B,D
Pin number: 03,04, 05,06,08, 10,12
Cable jacket: A: PVC UL2517; B: PUR UL20549
Cable length L: 01: 1M ... 99: 99M
The line grows business trip: 01~05m: ± 50mm 06~10m: ± 100mm 11~30m: ± 200mm 31~99m: ± 500mm

3pin A Coding	4pin A Coding	5pin A Coding	6pin A Coding	8pin A Coding
Pin Assignments Front View	Pin Assignments Front View	Pin Assignments Front View	Pin Assignments Front View	Pin Assignments Front View
				8 Red
			7 Blue	7 Blue
			6 Pink	6 Pink
		5 Grey		5 Grey
4 Black	4 Black	4 Black	4 Yellow	4 Yellow
3 Blue	3 Blue	3 Blue	3 Green	3 Green
1 Brown	2 White	2 White	2 Brown	2 Brown
1 Brown	1 Brown	1 Brown	1 White	1 White
Pin Wire Color	Pin Wire Color	Pin Wire Color	Pin Wire Color	Pin Wire Color
Pin Out	Pin Out	Pin Out	Pin Out	Pin Out

DETACHED LISTS	PART NO.: PMM12XXXPFSSR8XXX00AH	宁波高松电子有限公司 NINGBO DEGSON ELECTRICAL CO., LTD		
	APPD:	NAME: PM-M12X-XXP-FF-SR8XXX-00A(H)		
	CHKD:	TITLE: CUSTOMER DRAWING		
	DRFT: LZ 2018.10.08	REV: D0-1	SHEET: 1/2	SCALE: 1:1
THIRD ANGLE PROJECTION		DRAWING NO.: XXXXXXXX-XX-CXX DO NOT SCALE DRAWING		

REVISION RECORD

REV	ECN	DESCRIPTION	DRFT	DATE
-----	-----	-------------	------	------



NOTES:

- Rated voltage/current : 10pin A: 30V / 1.5A
12pin A: 30V / 1.5A
5pin B: 60V / 4A
4pin D: 250V / 4A
- Withstanding voltage : 10,12pin: AC500V/1Min
5pin B: AC1120V/1Min
4pin D: AC1500V/1Min
- Levels of protection: IP68
- Cable specifications :
10pin A: 10C*26AWG/0.14mm², UL2517/UL20549
12pin A: 12C*26AWG/0.14mm², UL2517/UL20549
5pin B: 5C*22AWG/0.34mm², UL2517/UL20549
4pin D: 4C*22AWG/0.34mm², UL2517/UL20549
- Wire connection mode: soldering
- Operating temperature: PVC Cable: -25°C~+85°C
PUR Cable: -25°C~+80°C
- RoHS Compliance

10pin A Coding	12pin A Coding	5pin B Coding	4pin D Coding
Pin Assignments Front View	Pin Assignments Front View	Pin Assignments Front View	Pin Assignments Front View
	12 Red/Blue		
	11 Grey/Pink		
10 Violet	10 Violet		
9 Red	9 Red		
8 Grey	8 Grey		
7 Black	7 Black		
6 Yellow	6 Yellow		
5 Pink	5 Pink	5 Grey	
4 Green	4 Green	4 Black	4 Black
3 White	3 White	3 Blue	3 Blue
2 Blue	2 Blue	2 White	2 White
1 Brown	1 Brown	1 Brown	1 Brown
Pin Wire Color	Pin Wire Color	Pin Wire Color	Pin Wire Color
Pin Out	Pin Out	Pin Out	Pin Out

PM-M12X-XXP-FF-SR8XXX-00A(H)

Coding: A,B,D

Pin number: 03,04, 05,06,08, 10,12

Cable jacket:
A: PVC UL2517;
B: PUR UL20549

Cable length L:
01: 1M
...
99: 99M
The line grows business trip:
01~05m: ± 50mm
06~10m: ± 100mm
11~30m: ± 200mm
31~99m: ± 500mm

DETACHED LISTS	PART NO.: PMM12XXXPFSSR8XXX00AH	宁波高松电子有限公司 NINGBO DEGSON ELECTRICAL CO., LTD		
	APPD:	NAME: PM-M12X-XXP-FF-SR8XXX-00A(H)		
	CHKD:	TITLE: CUSTOMER DRAWING		
	DRFT: LZ 2018.10.08	REV: D0-1	SHEET: 2/2	
THIRD ANGLE PROJECTION		DRAWING NO.: XXXXXXXX-XX-CXX	SCALE: 1:1	DO NOT SCALE DRAWING