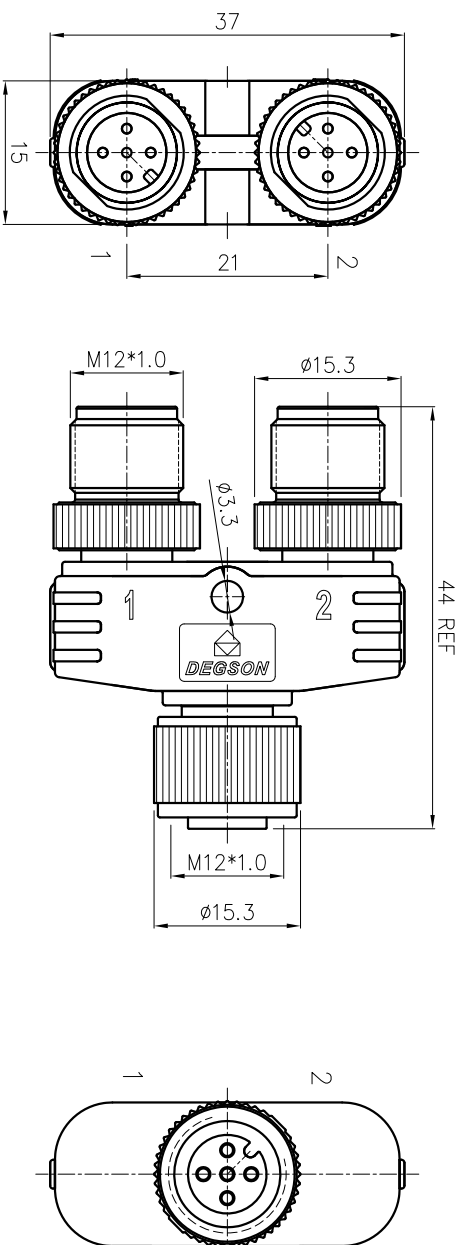
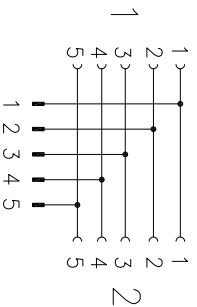


REVISION RECORD			
REV	ECN	DESCRIPTION	DRFT DATE



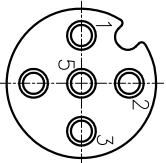
Circuit diagram:



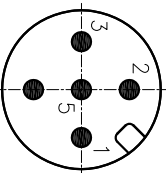
NOTES:

- 1.RoHS Compliance,
- 2.The Code direction is shown as diagram,
- 3.Housing material: PU(Color:black),
- 4.Contact body material: PU(Color:black),
- 5.Contact material: Copper alloy;(plating: gold)
- 6.O Ring material: Silicone;(Color: green)
- 7.Screw material: Zinc alloy (plating: Ni),

Femdale(Front view)



Male(Front view)



Dimensional tolerance (mm)

≤30	30	60	100	>150
±0.20	±0.30	±0.50	±0.70	±1.00

DETACHED LISTS

PART NO.:	FYM12A05FM12A05MT0100
APPD:	
CHKD:	
DRFT:	WYM 2019/05/23
THIRD ANGLE PROJECTION	

Technique parameter	
Rated voltage	60V
Rated current	4A
Insulation resistance	≥100MΩ
Withstanding voltage	800V AC
Operating temperature	-25°C~+85°C
Levels of protection	IP67
Cable OD	/

DEGSON® 宁波高松电子有限公司
NINGBO DEGSON ELECTRICAL CO., LTD

NAME: FY-M12A-05F-M12A-05M-T-0100

TITLE:	ASSEMBLY DRAWING	REV	TO-1
DRAWING NO.:	20000421	SHEET	1/1
SCALE:	DO NOT SCALE DRAWING	SCALE	1:1