

REVISION RECORD				
REV	ECN	DESCRIPTION	DRFT	DATE

Technical characteristics:

Specifications
 DIN EN 60 664-1
 DIN EN 61 984

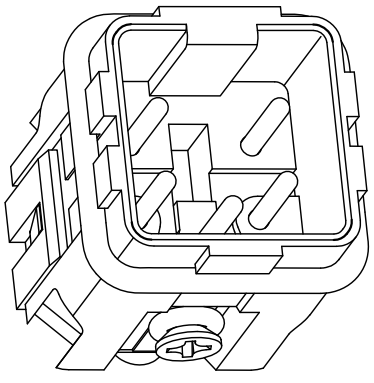
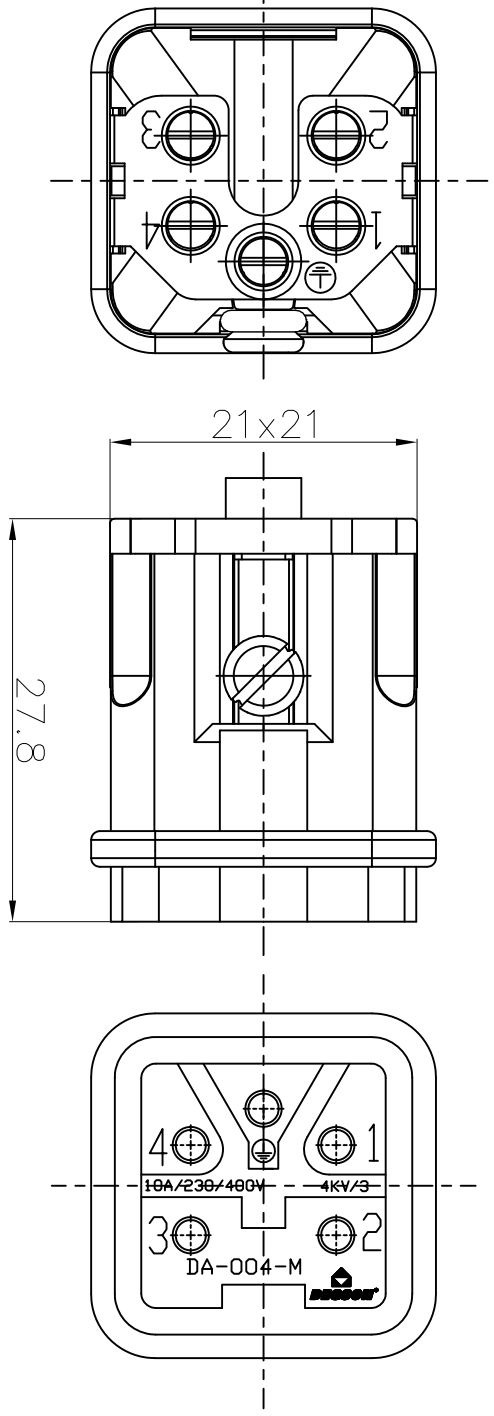
Approvals:

Inserts

- 01. Number of contacts : 4+PE
- 02. Rated Current : 10A
- 03. Rated Voltage conductor-ground : 230V
- 04. Rated Voltage conductor-conductor : 400V
- 05. Pollution degree : 3
- 06. Rated impulse voltage : 4kV
- 07. or: 10A/250V/4kV/3¹⁰
- 08. Insulation resistance : $\geq 10 \Omega$
- 09. Material: Polycarbonate
- 10. Colour: RAL 7032 (Light grey)
- 11. Rated voltage acc. to UL/CSA: 600V
- 12. Limiting temperatures : -40°C~+125°C
- 13. Flammability acc. to UL94: V0
- 14. Mechanical working life (mating cycles) : ≥ 500

Contacts

- 01. Material: Copper alloy
- 02. Surface: hard-silver plated
- 03. Contact resistance : $\leq 2m\Omega$
- 04. Terminal : Screw terminal
- 05. Wire gauge : 1.0-2.5mm² (AWG 18-14)
- 06. Tightening torque : 0.25Nm
- 07. Stripping length : 4.5mm
- 08. Rohs Compliance



DETACHED LISTS			
PART NO.:	DA004M	NAME:	NINGBO DEGSON ELECTRICAL CO., LTD 宁波高松电子有限公司
APPD:		TITLE:	CUSTOMER DRAWING
CHKD:		DRAWING NO.:	DA-004-M-E01
DRFT:	Mr. Yang 2016.06.16	REV	DO-1
THIRD ANGLE PROJECTION		DO NOT SCALE DRAWING	SCALE
		SCALE	2:1

