

REVISION RECORD				
REV	ECN	DESCRIPTION	DRFT	DATE

Technical characteristics:

Specifications
 DIN EN 60 664
 DIN EN 61 984

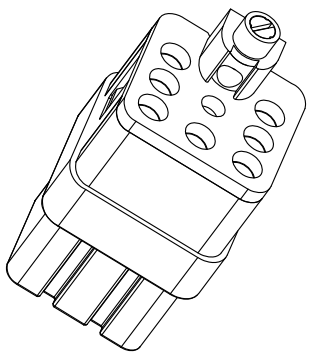
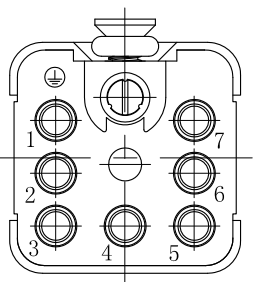
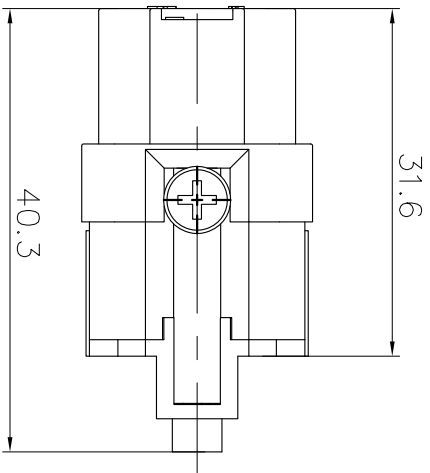
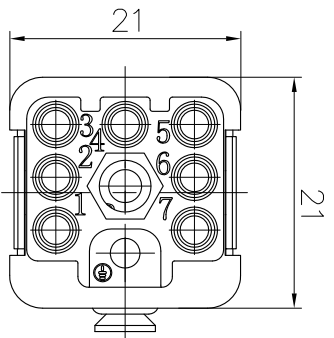
Inserts

- 01. Number of contacts : 7+PE
- 02. Rated Current : 10A
- 03. Rated Voltage : 400V
- 04. Pollution degree : 3
- 05. Rated impulse voltage : 6kV¹⁰
- 06. Insulation resistance : ≥10Ω
- 07. Material: Polycarbonate
- 08. Rated voltage acc. to UL/CSA: 600V
- 10. Limiting temperatures : -40°C~+125°C
- 11. Flammability acc. to UL94: V0
- 12. Mechanical working Life (mating cycles) : ≥500

Contacts

- 01. Material: Copper alloy
- 02. Surface: hard-Silver plated
: hard-Gold plated
- 03. Contact resistance : ≤3mΩ
- 04. Terminal : Crimp terminal
- 05. Wire gauge : 0.14-2.5mm² (AWG 26-14)
- 06. Stripping length : 6-8mm
- 07. Rohns Compliance

Note: Crimp contact pins should order separately



DETACHED LISTS			
PART NO.:	/	NINGBO DEGSON ELECTRICAL CO., LTD	
APPD:		宁波高松电子有限公司	
CHKD:		DQ-007-FC	
DRFT:	Mr. Yang 2016.09.25	TITLE: CUSTOMER DRAWING	REV DO-1
THIRD ANGLE PROJECTION		DRAWING NO.:	SHEET 1/1
		DO NOT SCALE DRAWING	SCALE 1.5:1

A 8 7 6 5 4 3 2 1