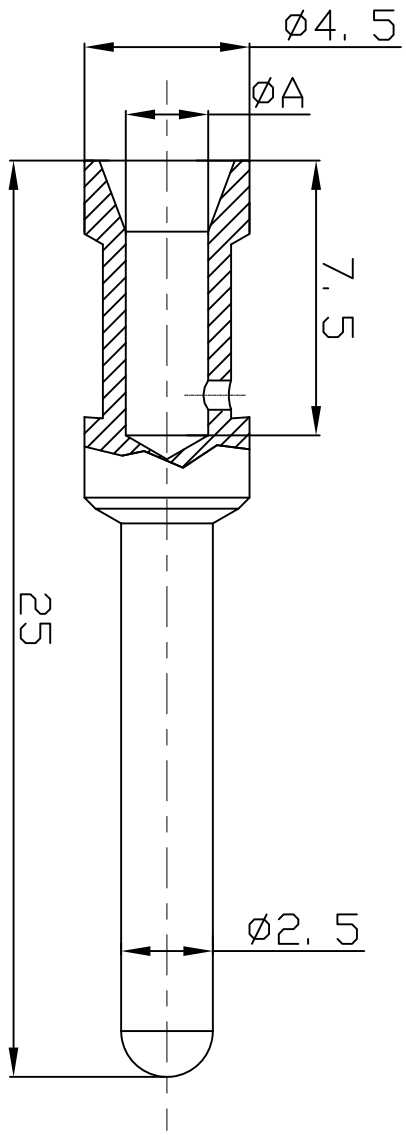


Contacts, Gold-plated

Type of products	(ØA)	Wire gauge		Recommended stripping length
		(mm <sup>2</sup> )	(AWG)	
16A-GM-0.37	0.9	0.14-0.37	26-22	7.5mm
16A-GM-0.5	1.1	0.50	20	7.5mm
16A-GM-0.75	1.3	0.75	18	7.5mm
◆ 16A-GM-1.0	1.45	1.00	18	7.5mm
16A-GM-1.5	1.75	1.50	16	7.5mm
16A-GM-2.5	2.25	2.50	14	7.5mm
16A-GM-4.0	2.85	4.00	12	7.5mm

REVISION RECORD				
REV	ECN	DESCRIPTION	DRFT	DATE



Crimp contacts

01. Material :Copper alloy
02. Surface :Gold-plated
03. Contact resistance :  $\leq 1m\Omega$
04. Terminal :Crimp connection
05. Wire gauge : 0.37-4.0mm<sup>2</sup> (AWG 22-12)
06. Rohs Compliance

DETACHED LISTS				
PART NO.:	/	NAME:	NINGBO DEGSON ELECTRICAL CO., LTD 宁波高松电子有限公司	
APPD:		TITLE:	16A-Male Contacts(Gold-plated)	
CHKD:		DRAWING NO.:	/	REV SHEET
DRFT:	Mr. Yang 2016.06.06	DO NOT SCALE DRAWING	SCALE	5:1
THIRD ANGLE PROJECTION				