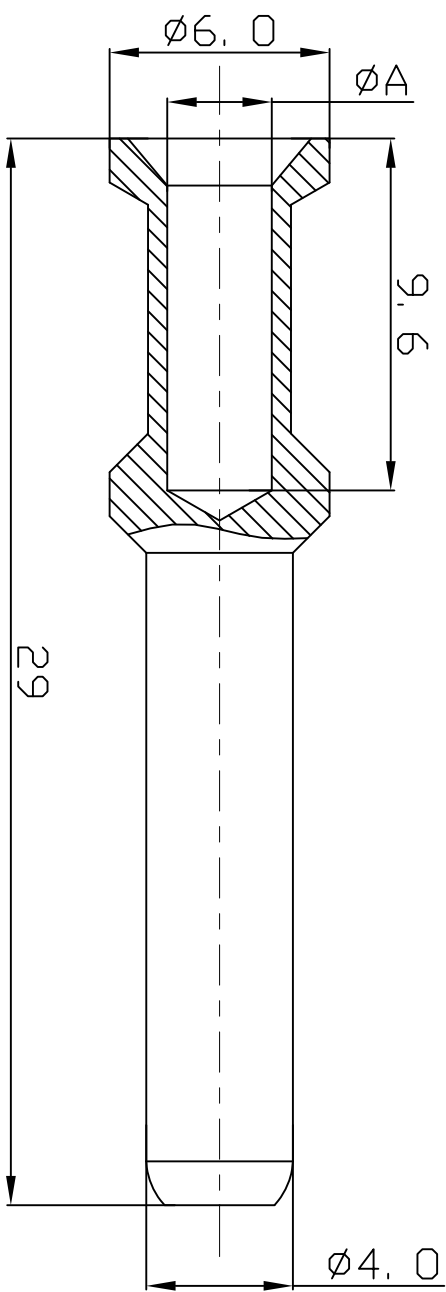


REVISION RECORD			
REV	ECN	DESCRIPTION	DATE

H	Contacts, silver-plated	(ØA)	Wire gauge		Recommended stripping length
			(mm ²)	(AWG)	
	Type of products				
	40A-SM-1.5	1.75	1.5	16	9.0mm
	40A-SM-2.5	2.25	2.5	14	9.0mm
	◆ 40A-SM-4.0	2.85	4.0	12	9.6mm
	40A-SM-6.0	3.5	6.0	10	9.6mm
	40A-SM-10	4.3	10.0	8	12mm



Crimp contacts

- 01. Material :Copper alloy
- 02. Surface :hard-silver plated
- 03. Contact resistance : ≤0.3mΩ
- 04. Terminal :Crimp connection
- 05. Wire gauge : 1.5-6mm² (AWG 16-10)
- 06. Rohs Compliance

DETACHED LISTS			
PART NO.:	/	NAME:	DEGSON ® NINGBO DEGSON ELECTRICAL CO., LTD 宁波高松电子有限公司
APPD:		TITLE:	CUSTOMER DRAWING
CHKD:		DRAWING NO.:	/
DFT:	Mr. Yang 2016.08.08	DO NOT SCALE DRAWING	SCALE
THIRD ANGLE PROJECTION		REV	DO
		SHEET	1/1
		SCALE	5:1