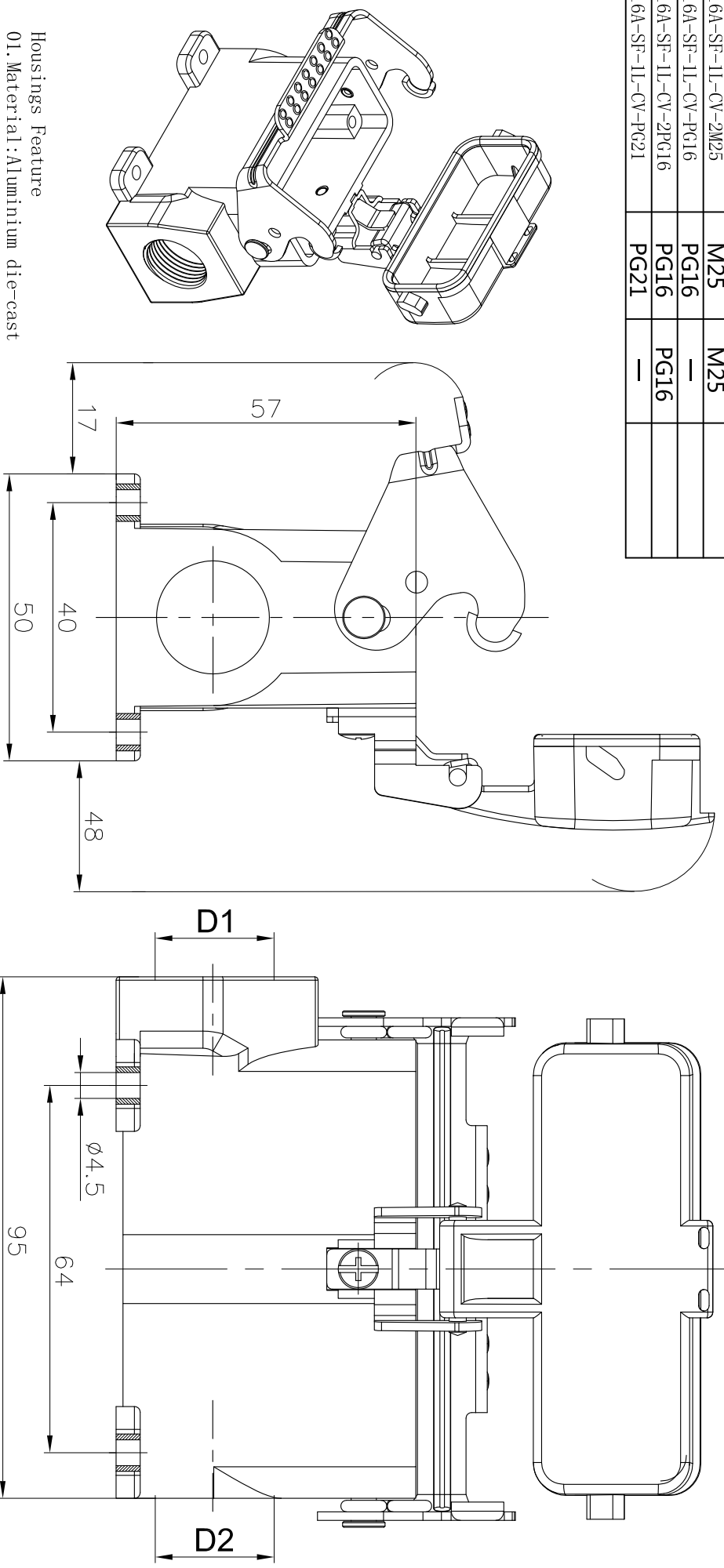


REVISION RECORD				
REV	ECN	DESCRIPTION	DRFT	DATE

TYPE	Thread		Selection
	D1	D2	
D16A-SF-1L-CV-M20	M20	—	
D16A-SF-1L-CV-2M20	M20	M20	
D16A-SF-1L-CV-M25	M25	—	
D16A-SF-1L-CV-2M25	M25	M25	
D16A-SF-1L-CV-PG16	PG16	—	
D16A-SF-1L-CV-2PG16	PG16	PG16	
D16A-SF-1L-CV-PG21	PG21	—	



- Housings Feature**
- 01. Material: Aluminium die-cast
 - 02. Surface: Powder-coated
 - 03. Color: grey (RAL 7037)
 - 04. Covers: Plastic
 - 05. Material: Metal (Lever)
 - 06. Limiting temperatures: -40°C ~ +125°C
 - 07. Flammability acc to UL94: V0
 - 08. Degree of protection acc. to EN60529 for coupled connector: IP65
 - 09. Rohs Compliance

DETACHED LISTS			
PART NO.:	DEGSON	NAME:	D16A-SF-1L-CV-M/PG
APPD.:		TITLE:	CUSTOMER DRAWING
CHKD.:		REV	DO-1
DRFT: Mr. yong	2016.08.15	DRAWING NO.:	1/1
		THIRD ANGLE PROJECTION	SCALE
		DO NOT SCALE DRAWING	1:1

8 7 6 5 4 3 2 1