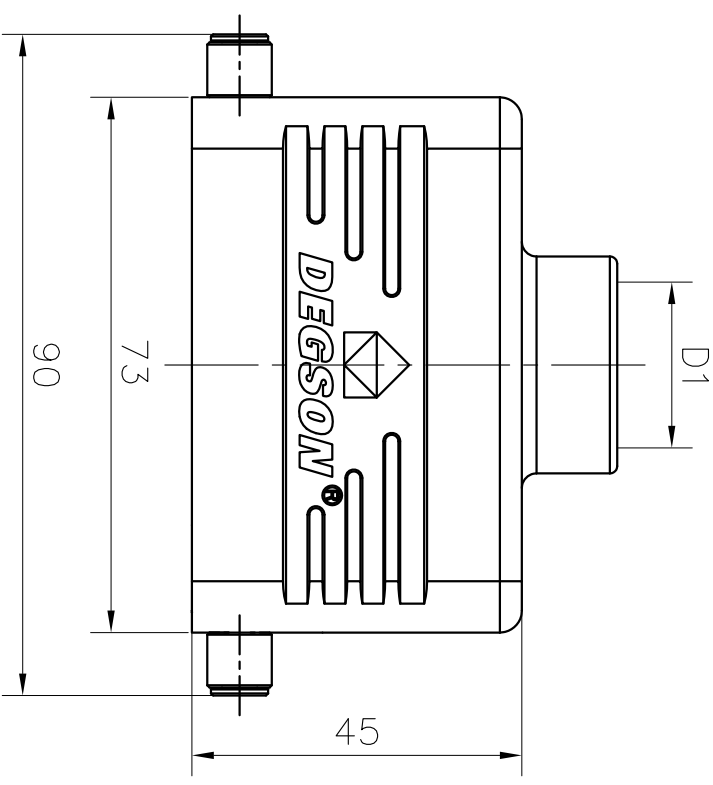
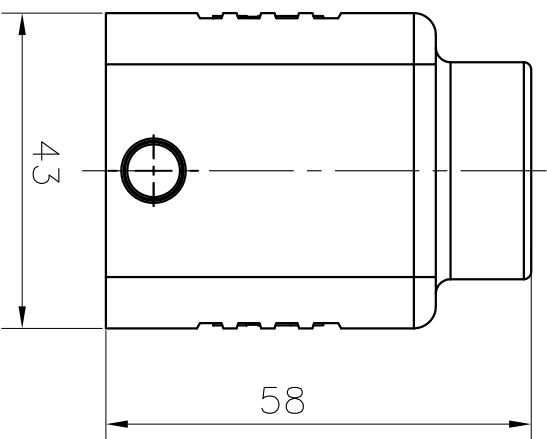
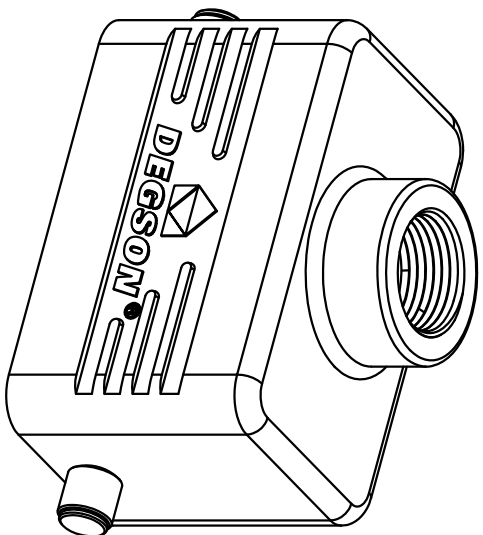


TYPE	Thread(D1)	Selection
D10B-TE-2g-M20	M20	
D10B-TE-2g-M25	M25	
D10B-TE-2g-PG16	PG16	

REVISION RECORD				
REV	ECN	DESCRIPTION	DRFT	DATE



Hoods Feature

1. Material: aluminium die-cast
2. Surface: Powder-coated
3. Color: grey (RAL 7037)
4. Limiting temperatures: $-40^{\circ}\text{C} \sim +125^{\circ}\text{C}$
5. Flammability acc to UL94: V0
6. Degree of protection acc. to EN60529 for coupled connector: IP65
7. Rohs compliance

DETACHED LISTS			
PART NO.:	/	NAME:	DEGSON NINGBO DEGSON ELECTRICAL CO., LTD 宁波高松电子有限公司
APPR.:			D10B-TE-2g-M/PG
CHKD.:		TITLE:	CUSTOMER DRAWING
DRFT:	Mr. yding 2017/06/28	DRAWING NO.:	
		THIRD ANGLE PROJECTION	DO NOT SCALE DRAWING
		SCALE	1:1