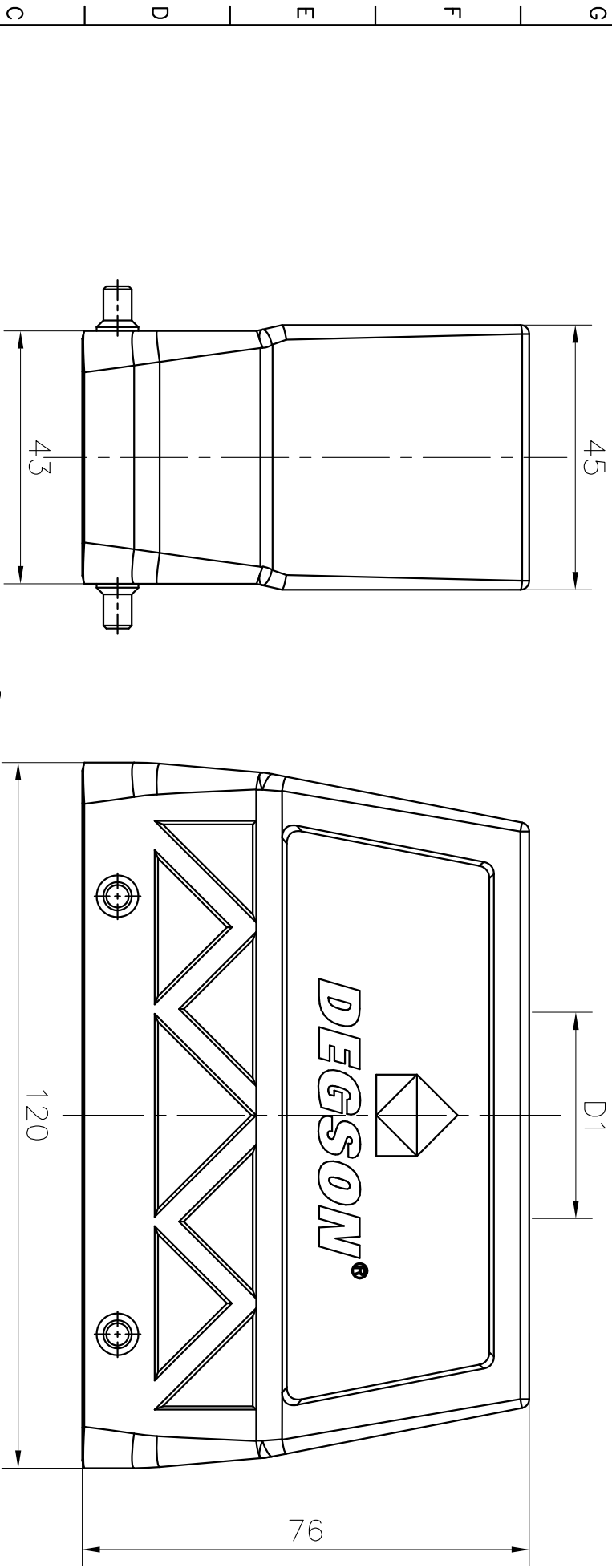
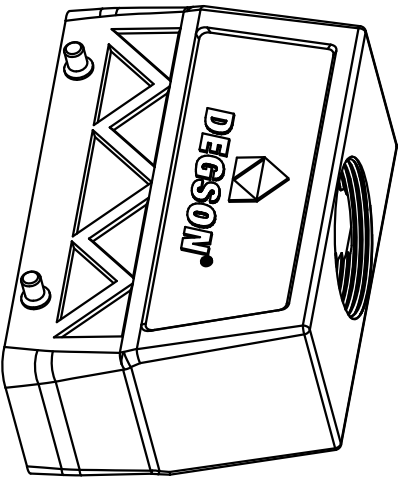


REVISION RECORD				
REV	ECN	DESCRIPTION	DRFT	DATE

TYPE	Thread(D1)	Selection
D24B-TEH-4g-M32	M32	
D24B-TEH-4g-M40	M40	
D24B-TEH-4g-PG21	PG21	
D24B-TEH-4g-PG29	PG29	



- Hoods Feature**
1. Material: aluminium die-cast
 2. Surface: Powder-coated
 3. Color: grey (RAL 7037)
 4. Limiting temperatures: -40°C ~ +125°C
 5. Flammability acc to UL94: V0
 6. Degree of protection acc.to EN60529 for coupled connector : IP65
 7. Rohs compliance



DETACHED LISTS	
PART NO.: /	NAME: DEGSSON NINGBO DEGSSON ELECTRICAL CO., LTD 宁波高松电子有限公司
APPRD: _____	D24B-TEH-4g-M/PG
CHKD: _____	TITLE: CUSTOMER DRAWING
DRFT: Mr. yong 2017/06/28	DRAWING NO.: _____
THIRD ANGLE PROJECTION	REV DO-1
	SHEET 1/1
	SCALE 1:1

A 8 7 6 5 4 3 2 1