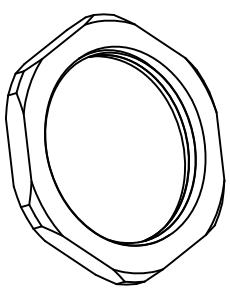
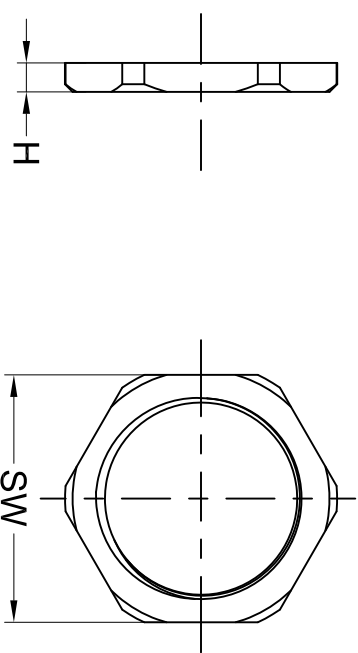


REVISION RECORD				
REV	ECN	DESCRIPTION	DRFT	DATE

Metric	PG	Thickness (H)	SW	Type
	Pg7	4.5	18	DLM-PG7P
	Pg9	4.5	22	DLM-PG9P
	Pg11	5.0	24	DLM-PG11P
	Pg13.5	5.0	27	DLM-PG13.5P
	Pg16	5.5	30	DLM-PG16P
	Pg21	6.0	35	DLM-PG21P
	Pg29	7.0	45	DLM-PG29P
	Pg36	8.0	58	DLM-PG36P
	Pg42	8.0	65	DLM-PG42P
	M12x1.5	4.5	18	DLM-M12P
	M16x1.5	5.0	22	DLM-M16P
	M20x1.5	5.0	27	DLM-M20P
	M25x1.5	6.0	30	DLM-M25P
	M32x1.5	6.0	38	DLM-M32P
	M40x1.5	8.0	52	DLM-M40P
	M50x1.5	8.0	60	DLM-M50P
	M63x1.5	8.0	73	DLM-M63P



Plastics lock nut
 Material: Nylon
 Temperature range: -40~100°C

PART NO.: /		NINGBO DEGSON ELECTRICAL CO., LTD 宁波高松电子有限公司	
APPD:	NAME:	Plastics lock nut	
CHKD:	TITLE:	CUSTOMER DRAWING	
DRFT: Mr. Yang2016.08.18	DRAWING NO.:	REV	DO-1
THIRD ANGLE PROJECTION	SCALE	SHEET	1/1
1:1 (INCH)	DO NOT SCALE DRAWING	SCALE	

A 8 7 6 5 4 3 2 1