

REVISION RECORD				
REV	ECN	DESCRIPTION	DRFT	DATE

Technical characteristics:

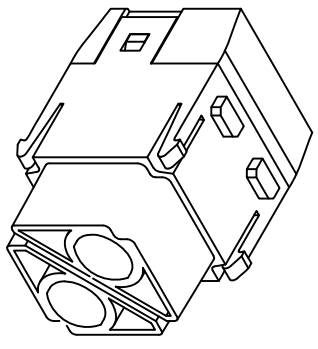
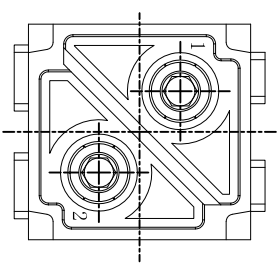
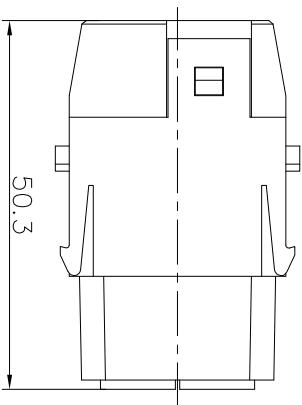
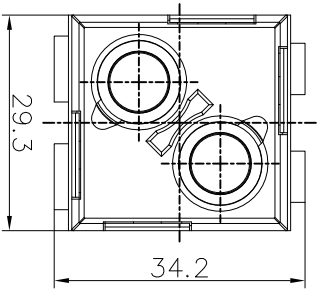
Specifications  
 DIN EN 60 664-1  
 DIN EN 61 984

Inserts

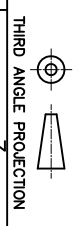
01. Number of contacts : 2
02. Rated Current : 100A
03. Rated Voltage : 1000V
04. Pollution degree : 3
05. Rated impulse voltage : 8kv<sup>10</sup>
06. Insulation resistance :  $\geq 10^9\Omega$
07. Material : Polycarbonate
08. Rated voltage acc. to UL : 600V
09. Limiting temperatures : -40°C~+125°C
10. Flammability acc. to UL94 : V0
11. Mechanical working life (mating cycles) :  $\geq 500$

Contacts

01. Material: Copper alloy
02. Surface: hard-silver plated
03. Contact resistance : 0.3m $\Omega$
04. Terminal : Axial screw terminal
05. Wire gauge : 10-25mm<sup>2</sup>
06. Hexagonal driver: SW4
07. Stripping length : 13mm
08. Tightening torque : 6-8Nm
09. Rohs Compliance



DETACHED LISTS			
PART NO.:	/	NINGBO DEGSON ELECTRICAL CO., LTD 宁波高松电子有限公司	
APPD:		NAME: D2MK-002-F(10-25mm2)	
CHKD:		TITLE: CUSTOMER DRAWING	
DRFT: YONG	2016.08.22	DRAWING NO.:	REV
			DO-1
			SHEET
			1/1
		DO NOT SCALE DRAWING	SCALE



THIRD ANGLE PROJECTION

A 8

B 7

C 6

D 5

E 4

F 3

G 2

H 1

A

B

C

D

E

F

G

H