

REVISION RECORD			
REV	ECN	DESCRIPTION	DRFT DATE

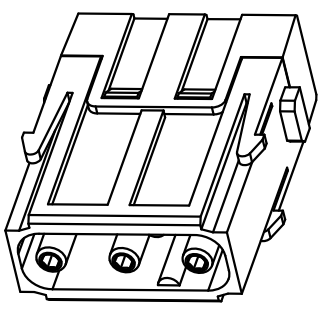
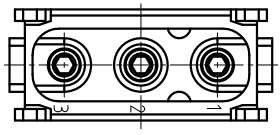
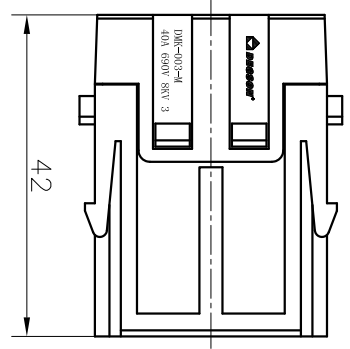
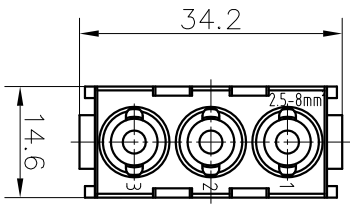
Technical characteristics:  
 Specifications  
 DIN EN 60 664-1  
 DIN EN 61 984

Inserts

01. Number of contacts : 3
02. Rated Current :40A
03. Rated Voltage :690V
04. Pollution degree : 3
05. Rated impulse voltage :8kv<sup>10</sup>
06. Insulation resistance :≥10Ω
07. Material:Polycarbonate
08. Rated voltage acc. to UL:600V
09. Limiting temperatures : -40℃~+125℃
10. Flammability acc. to UL94:V0
11. Mechanical working Life (mating cycles) : ≥500

Contacts

01. Material:Copper alloy
02. Surface:hard-silver plated
03. Contact resistance : ≤0.3mΩ
04. Terminal :Axial screw terminal
05. Hexagonal driver:SW2
06. Wire gauge : 2.5~8mm<sup>2</sup>
07. Tightening torque:2Nm
08. Stripping length :9~12mm
09. Rohs Compliance



DETACHED LISTS			
PART NO.:	DMK-003-M(2.5~8mm <sup>2</sup> )		
NAME:	NINGBO DEGSON ELECTRICAL CO., LTD		
APPD:			
CHKD:			
DRFT:	LJK	2017.10.10	
TITLE:	CUSTOMER DRAWING		REV DO-1
DRAWING NO.:			SHEET 1/1
THIRD ANGLE PROJECTION		DO NOT SCALE DRAWING	SCALE 1:1