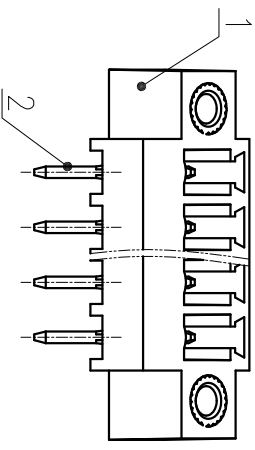
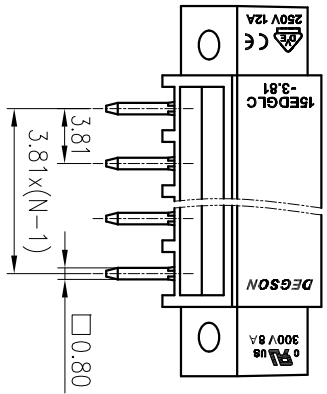
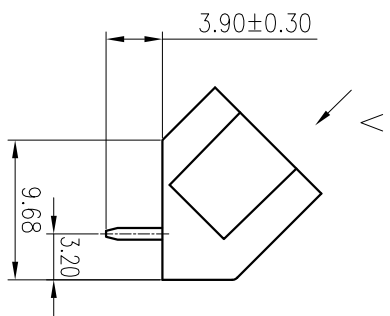
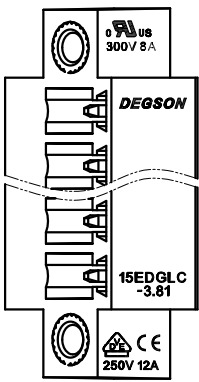
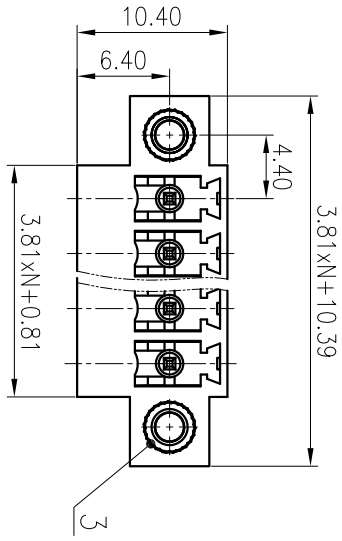
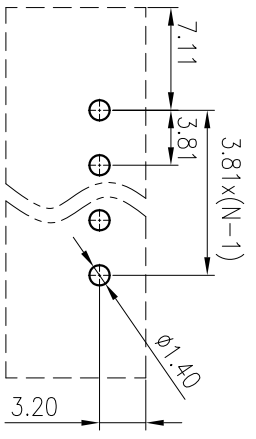


未注公差/General Tolerances(mm)	
0	>3
~	>5
~	>10
~	>18
~	>30
~	>50
~	>80
~	>120
~	>180
~	>250
~	>315
~	>400
~	>500
E0.17	E0.18
F0.22	F0.26
F0.31	F0.37
F0.57	F0.80
F0.93	F1.09
F1.15	F1.50
F2.20	F2.50
0.1/10	
E7	

View V



PCB LAYOUT



ITEM	NAME OF PART	MATERIAL	NOTES
3	Nut	Copper Alloy	
2	Pin	Copper Alloy	Sn Plated
1	Housing	PA66	UL94V-0

UL 标准/UL Standard:	B	C	D
额定电压/Rated Voltage(V)/Current(A)	300/8	/	300/8
IEC 标准/IEC Standard:			
过压类别/Overvoltage Category/污染等级/ Pollution Degree	II/2		
额定电压/电流/Rated Voltage(V)/Current(A)	250/12		
额定脉冲电压(KV)/Rote Impulse Voltage(KV)	2.5		
间距/Pitch(mm)/线数范围/Poles	3.81/N=02~22P		
使用温度范围/Operating temperature(°C)	-40~+105		
符合RoHS环保要求/Conform to RoHS	Yes		

MATERIAL:

SURFACE: /

宁波高松电子有限公司
NINGBO DEGSON ELECTRICAL CO., LTD

NAME: 15EDGLM-3.81-XXP-1Y-00A(H)

REV	ECN	DESCRIPTION	DRT	DATE

MAT NO.:	/
STATUS:	/
APPD: Ldn CHH	2020.05.22
CHKD: Yu JZh	2020.05.22
DRT: CZ	2017.09.04
SIZE: A4	
TYPE: CUSTOMER DRAWING	
DRAWING NO.: 15EDGLM-3.81-C01	
SCALE: 2:1	
REV	T1
SHEET	1/1