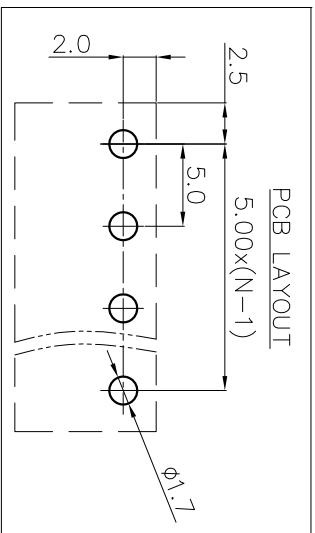
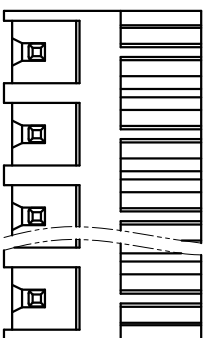
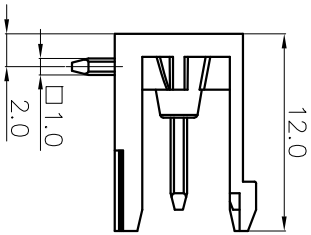
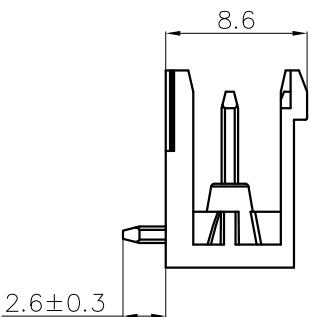
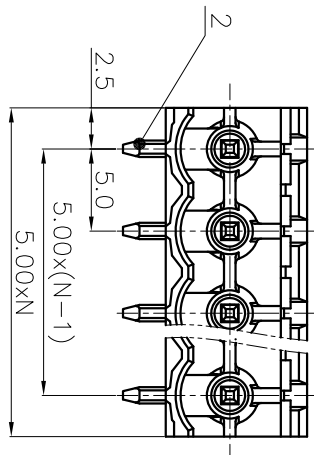
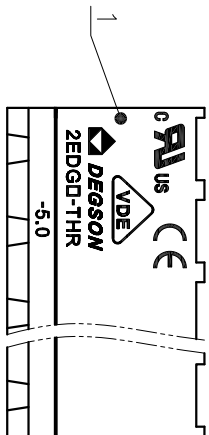


表型公差/General Tolerances(mm)		公差/General Tolerances(mm)	
0	>3	>18	>180
~	>6	>18	>250
~	>10	>30	>315
~	>18	>50	>400
3	6	10	18
~	10	18	30
~	18	30	50
~	30	50	80
~	50	80	120
~	80	120	180
~	120	180	250
~	180	250	315
~	250	315	400
~	315	400	500
~	400	500	630
~	500	630	800
~	630	800	1000
±0.12	±0.18	±0.22	±0.26
±0.31	±0.37	±0.57	±0.80
±1.05	±1.15	±1.60	±2.20
±2.50			
±Z			



2	Pin	Copper	Sn plated
1	Housing	LCP	UL94V-0
ITEM	NAME OF PART	MATERIAL	NOTES
UL 标准/UL Standard:		B	C
			D
额定电压/电流/Rated Voltage(V)/Current(A)		300/15	300/10
EC 标准/EC Standard:			
过压类别/Overvoltage Category/污染等级/Pollution Degree		III/3	III/2
额定电压/电流/Rated Voltage(V)/Current(A)		/	320/20
额定脉冲电压(KV)/Rate Impulse Voltage(KV)		/	4
间距/Pitch(mm)/线数范围/Poles		5.0/N=02~12P	/
使用温度范围/Operating temperature(°C)		-40~+130	/
符合RoHS环保要求/Conform to RoHS		Yes	/

MATERIAL:	/	SURFACE:	/
MAT NO.:	/		
STATUS:	/		
APPD:			
CHKD:			
DRT:	CenX 2020.06.19	DRAWING NO.:	2EDGR-THR-5.0-C01
		TYPE:	CUSTOMER DRAWING

NAME: **DEGSON** 宁波高松电子有限公司
NINGBO DEGSON ELECTRICAL CO., LTD

REV	ECN	DESCRIPTION	DRT	DATE	SIZE: A4	SCALE: 2:1	REV
							DO-1
							SHEET 1/2

D C B A

1 2 3 4 5 6

1 2 3 4 5 6

1 2 3 4 5 6

D C B A