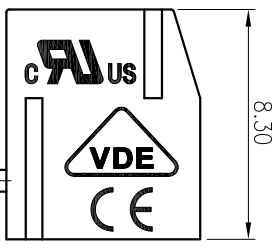
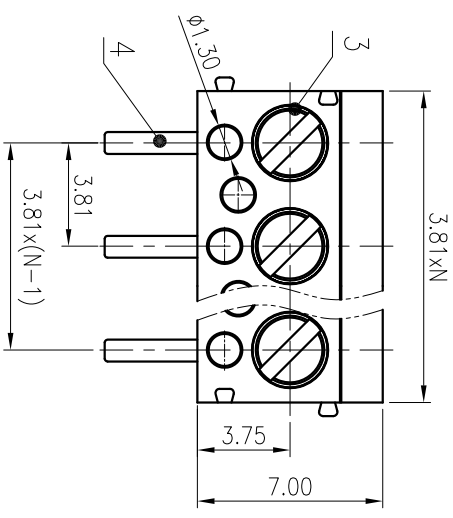
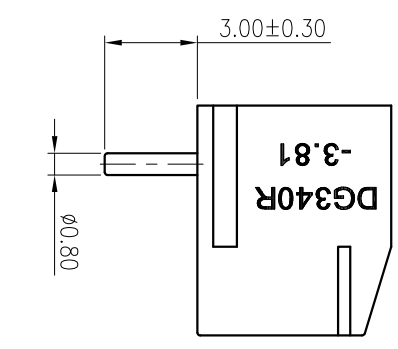
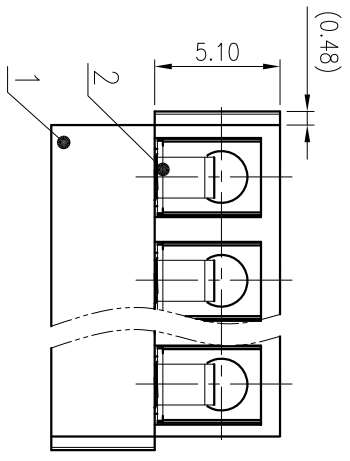
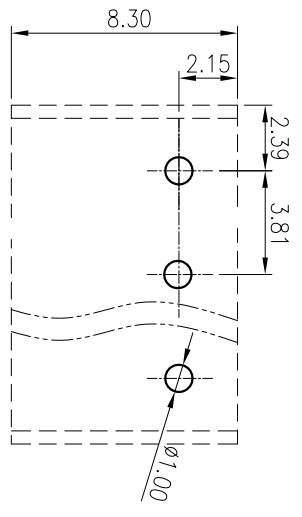


0	>3	>10	>18	>30	>50	>80	>120	>180	>250	>315	>400	>500	0.1/1.0
±0.12	±0.18	±0.22	±0.26	±0.31	±0.37	±0.57	±0.80	±0.93	±1.05	±1.15	±1.60	±2.20	±2.50
±0.12	±0.18	±0.22	±0.26	±0.31	±0.37	±0.57	±0.80	±0.93	±1.05	±1.15	±1.60	±2.20	±2.50



PCB LAYOUT



4	Pin header	Copper alloy	M2/Sn plated
3	Screw	Steel	M2/Zn plated
2	Spring	Stainless steel	/
1	Housing	PAG6	UL94V-0
ITEM	NAME OF PART	MATERIAL	NOTES
UL 标准/UL Standard: B C D			
额定电压/电流/Rated Voltage(V)/Current(A) 300/7 / /			
EC 标准/EC Standard: / / /			
过压类别/Overvoltage Category/污秽等级 III/3 III/2 II/2			
额定电压/电流/Rated Voltage(V)/Current(A) / 130/10 /			
工频耐压/Withstanding voltage(V/1Min) AC1250			
拧紧扭矩/Torque Tightening(N·m/Lb·in) M2, 0.20/1.77			
线径范围/硬线和软线/Wire Range(rigid and flexible)(mm ² /AWG) 0.5~1.0/24~18			
间距/Pitch(mm)/线数范围/Poles 3.81/N=02~24P			
剥线长度/Stripping length(mm) 5-6			
使用温度范围/Operating temperature(°C) -40~+105			
符合RoHS环保要求/Conform to RoHS Yes			

MATERIAL:

MAT NO.: /
 STATUS: /
 APPD: Lon CHH 2020.05.26
 CHKD: Yu JZh 2020.05.26
 DRFT: Song 2016.01.18

NAME: **DEGSON** 宁波高松电子有限公司
 NINGBO DEGSON ELECTRICAL CO., LTD

DRAWING NO.: DG340R-3.81-C01
 TYPE: CUSTOMER DRAWING
 SCALE: 4:1
 SHEET: 1/1

REV	ECN	DESCRIPTION	DRFT	DATE	SIZE: A4	SCALE: 4:1	SHEET: 1/1
-----	-----	-------------	------	------	----------	------------	------------