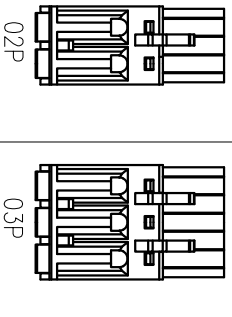
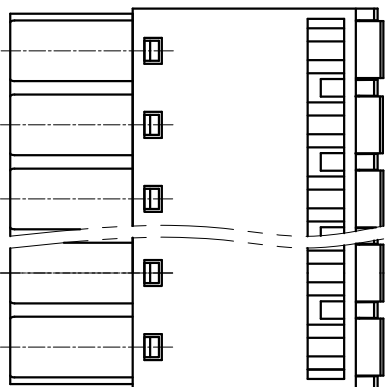
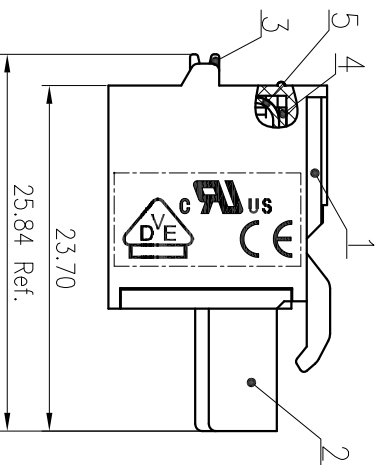
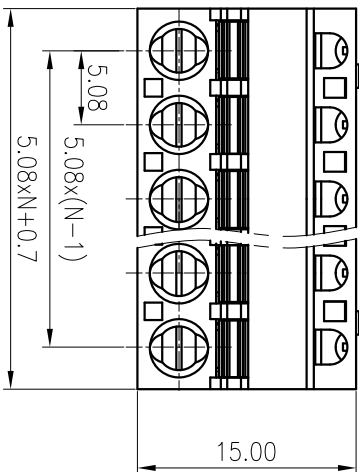
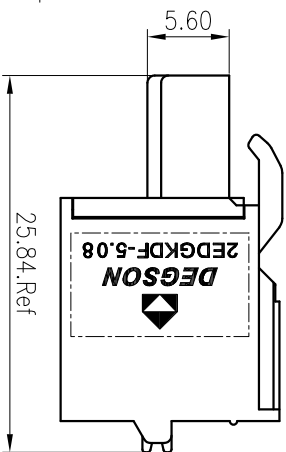


02P:Clasp on the left from this view



5	Spring	Stainless steel	
4	Clamp	Copper Alloy	Sn Plated
3	Button	PA66	UL94V-0
2	Cover	PA66	UL94V-0
1	Housing	PA66	UL94V-0
ITEM	NAME OF PART	MATERIAL	NOTES
UL 标准/UL Standard: B C D			
额定电压/电流/Rated Voltage(V)/Current(A) 300/10 / 300/10			
IEC 标准/IEC Standard: 300/10 / 300/10			
过压类别/Overvoltage Category/污染等级 III/2			
额定电压/电流/Rated Voltage(V)/Current(A) 320/20			
额定浪涌电压(KV)/Rate Impulse Voltage(KV) 4.0			
线径范围(硬导线/软导线)/Wire Range(rigid and flexible)(mm ² /AWG) 0.2~2.5/26~12			
间距/Pitch(mm)/线数范围/Poles 5.08/02~24P			
剥线长度/Stripping length(mm) 9~10			
使用温度范围/Operating temperature(°C) -40~+105			
符合RoHS环保要求/Conform to RoHS Yes			
标准颜色编号/Standard color number: /			
PANTONE / RAL			
SURFACE: /			

MATERIAL: /

MAT NO.: /

STATUS: /

APPD: LIGL 2020.06.13

CHKD: MoEK 2020.06.13

DRFT: CMZ 2018.08.03

NAME: **DEGSON** 宁波高松电子有限公司
NINGBO DEGSON ELECTRICAL CO., LTD

2EDGKDF-5.08-XXP-1Y-00A(H)

DRAWING NO.: 2EDGKDF-5.08-C01

TYPE: CUSTOMER DRAWING

SCALE: 2:1

SHEET 1/1

REV	ECN	DESCRIPTION	DRFT	DATE

1 2 3 4 5 6