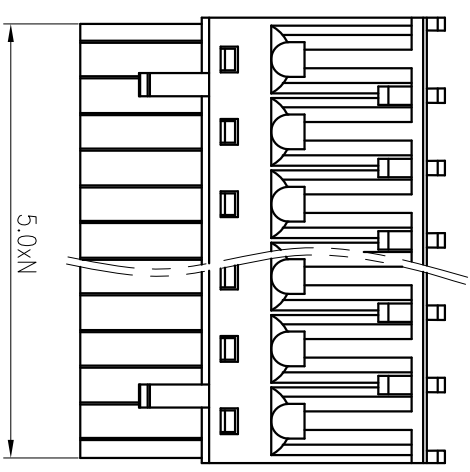
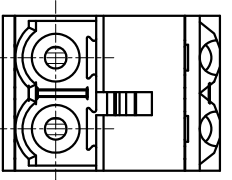
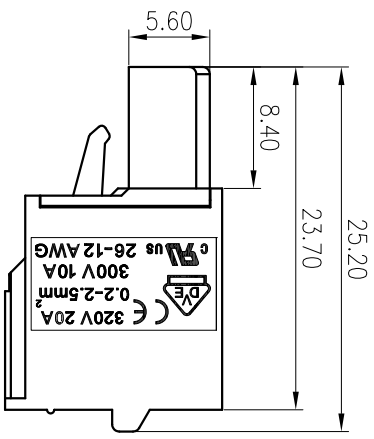
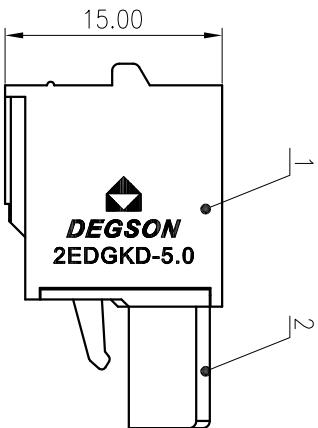
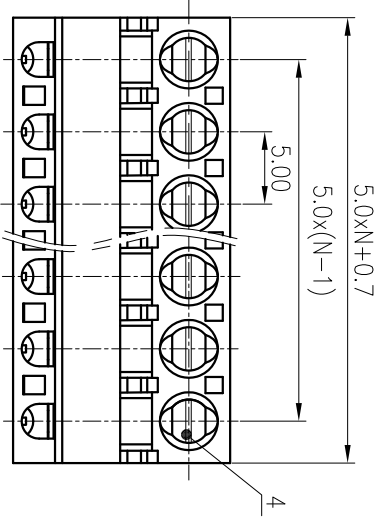
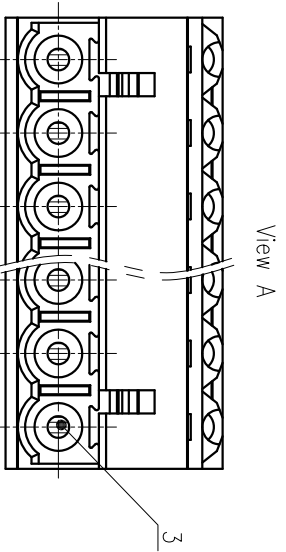


未注公差/General tolerances(mm)														
0	>3	>6	>10	>18	>30	>50	>80	>120	>180	>250	>315	>400	0.1/10	
~3	~6	~10	~18	~30	~50	~80	~120	~180	~250	~315	~400	~500		
±0.12	±0.18	±0.22	±0.26	±0.31	±0.37	±0.57	±0.80	±0.93	±1.05	±1.15	±1.60	±2.20	±2.50	±2



ITEM	NAME OF PART	MATERIAL	NOTES
1	Housing	PA66	UL94V-0
2	Cover	PA66	UL94V-0
3	Clamp	Copper alloy	Sn Plated
4	Spring	Stainless steel	/

UL 标准/UL Standard:	B	C	D
额定电压/Rated Voltage(V)	300/10	/	300/10
额定电流/Rated Current(A)	300/10	/	300/10
EC 标准/IEC Standard:			
过压类别/Overvoltage Category/污染等级	III/3	III/2	II/2
额定电压/电涌/Rated Voltage(V)/Current(A)	/	320/20	/
额定脉冲电压(KV)/Rate Impulse Voltage(KV)	/	4	/
螺丝扭矩/Torque Tightening(N·m/Lb·in)	M2.5, 0.4/3.54		
导线范围(导线和导线)/Wire Range(rigid and flexible)(mm ² /AWG)	0.2~2.5/26~12		
间距/Pitch(mm)/线数范围/Poles	5.08/N=02~24P		
剥线长度/Stripping length(mm)	9~10		
使用温度范围/Operating temperature(°C)	-40~+105		
符合RoHS环保要求/Conform to RoHS	Yes		

MATERIAL: /
 SURFACE: /
DEGSON® 宁波高松电子有限公司
 NINGBO DEGSON ELECTRICAL CO., LTD

NAME: **2EDGKDW-5.0-XXP-1Y-00A(H)**
 APPD: Li GL 2020.05.22
 CHKD: Ma EK 2020.05.22

DRAWING NO.: 2EDGKDW-5.0-C01
 TYPE: CUSTOMER DRAWING
 SCALE: 2:1
 SHEET 1/1

REV	ECN	DESCRIPTION	DRT	DATE
1				
2				
3				
4				

REV	ECN	DESCRIPTION	DRT	DATE
1				
2				
3				
4				